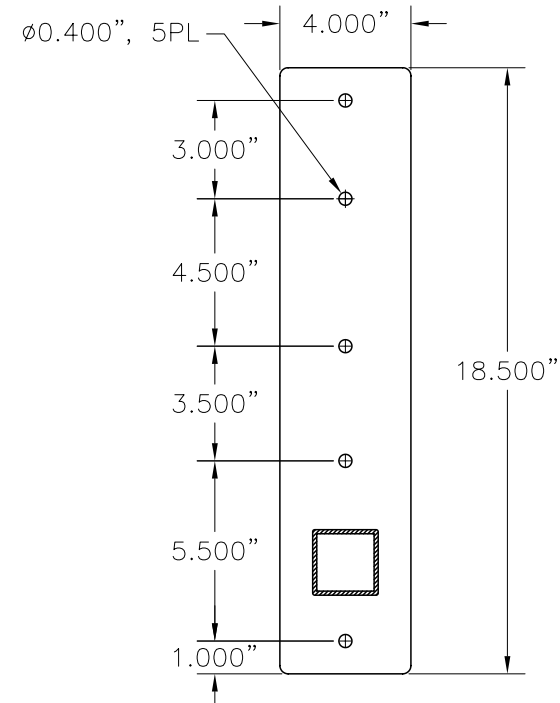
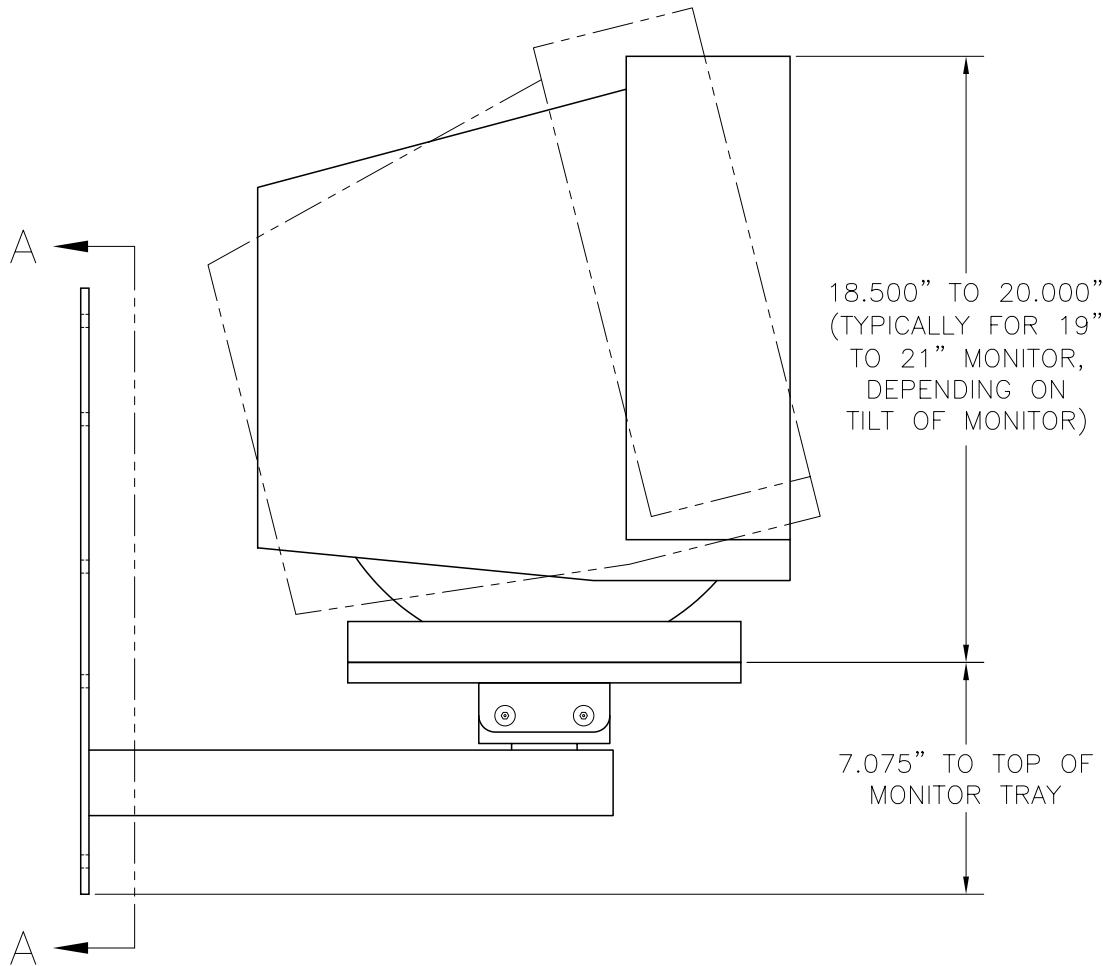


PTI INTEGRATED SYSTEMS PROPRIETARY
 THIS DOCUMENT AND THE INFORMATION DISCLOSED HEREIN ARE
 PROPRIETARY DATA OF PTI INTEGRATED SYSTEMS. NEITHER THIS
 DOCUMENT NOR THE INFORMATION CONTAINED HEREIN SHALL BE
 REPRODUCED, USED OR DISCLOSED TO OTHERS WITHOUT THE
 WRITTEN AUTHORIZATION OF PTI INTEGRATED SYSTEMS.

| PT REV | DESCRIPTION | BY | DATE |
|--------|-------------|-----|----------|
| - | RELEASED. | LAC | 10/19/00 |

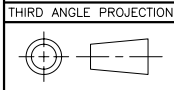
D
C
B
A

D
C
B
A



DETAIL A-A

NOTE: ATTACH MOUNT TO STUD IN WALL
 OR BACKING AS NEEDED.



UNLESS OTHERWISE SPECIFIED
 ALL DIMENSIONS IN INCHES.
 TOLERANCE: ±
 ANGLE TOLERANCE (DEG): ±
 REMOVE BURRS & SHARP EDGES.

8271 E. Gelding Drive
 Scottsdale, AZ 85260
 Phone 480.991.1259
 FAX 480.991.1395

| | | |
|-------------------------------------|---------------|--------------|
| DRAWING DESCRIPTION | | |
| CCTV, 19" WALL MONITOR MOUNT DETAIL | | |
| SIZE SCALE | DWG NO. | DWG REV |
| CINONE | | - .00 |
| ORIG. DATE | DRAWN BY | SHEET 1 OF 1 |
| 10/19/00 | L. CAMPANELLI | |

4

3

2

1