

PTI INTEGRATED SYSTEMS PROPRIETARY
 THIS DOCUMENT AND THE INFORMATION DISCLOSED HEREIN ARE
 PROPRIETARY DATA OF PTI INTEGRATED SYSTEMS. NEITHER THIS
 DOCUMENT NOR THE INFORMATION CONTAINED HEREIN SHALL BE
 REPRODUCED, USED OR DISCLOSED TO OTHERS WITHOUT THE
 WRITTEN AUTHORIZATION OF PTI INTEGRATED SYSTEMS.

PT REV	DESCRIPTION	BY	DATE
-	RELEASED.	LAC	9/14/01

D

D

C

C

B

B

A

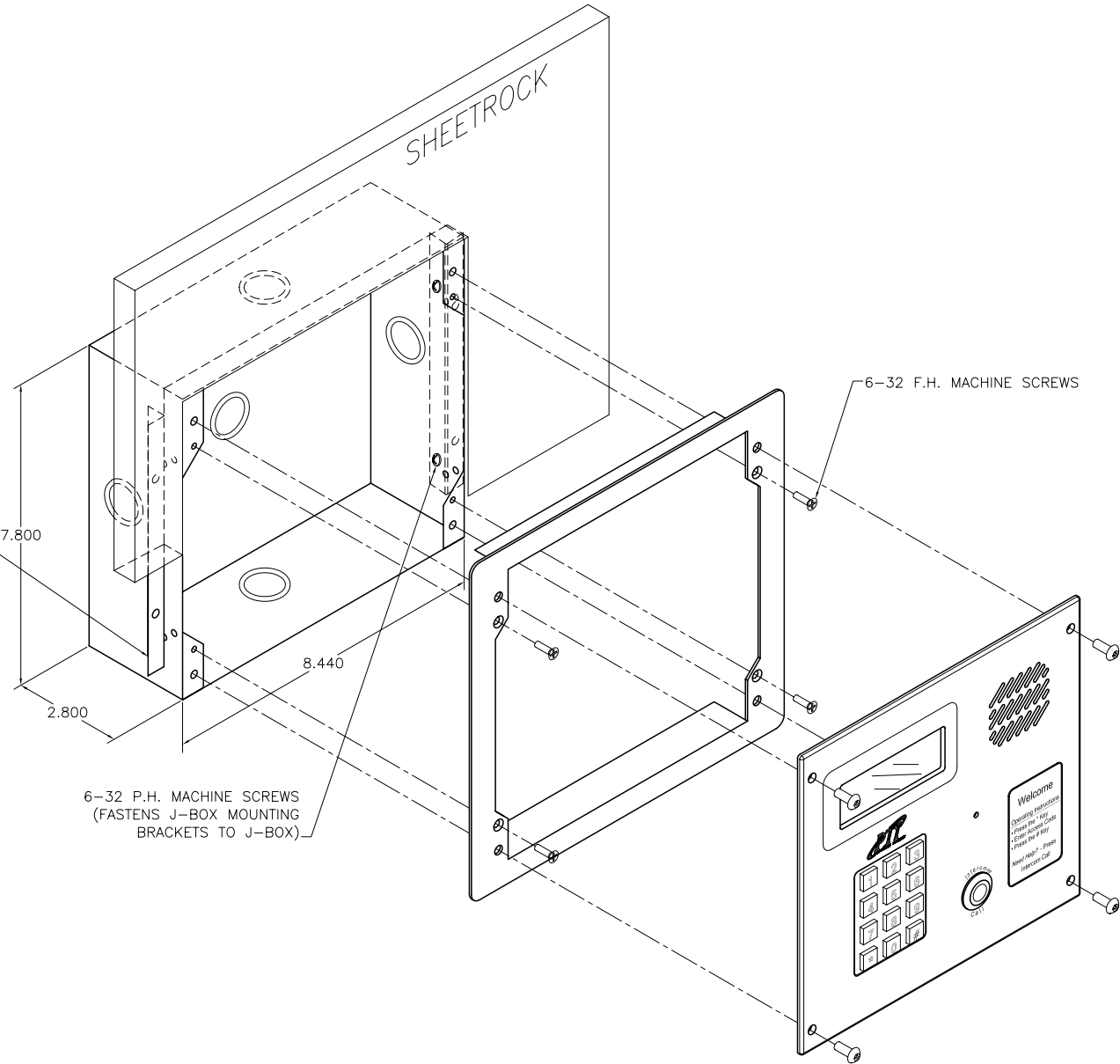
A

4

3

2

1



ADJUSTABLE BRACKET. BRACKET
 CAN BE POSITIONED FLUSH TO
 EDGE OF J-BOX, 3/8" FROM
 EDGE, AND 5/8" FROM
 EDGE. (LEFT AND RIGHT)

7.800

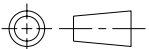
2.800

8.440

6-32 P.H. MACHINE SCREWS
 (FASTENS J-BOX MOUNTING
 BRACKETS TO J-BOX)

6-32 F.H. MACHINE SCREWS

THIRD ANGLE PROJECTION



UNLESS OTHERWISE SPECIFIED

ALL DIMENSIONS IN INCHES.

TOLERANCE: ±N/A

ANGLE TOLERANCE (DEG): ±N/A

REMOVE BURRS & SHARP EDGES.



8271 E. Gelding Drive
 Scottsdale, AZ 85260
 Phone 480.991.1259
 FAX 480.991.1395

ORIG. DATE 9/14/01

DRAWING DESCRIPTION

J-BOX, ADAPTOR PLATE,
 AND APEX FRONT PLATE
 INSTALLATION

SIZE SCALE
 C/NONE

DWG NO.

DWG REV
 - :00

DRAWN BY L. CAMPANELLI

SHEET 1 OF 1

4

3

2

1