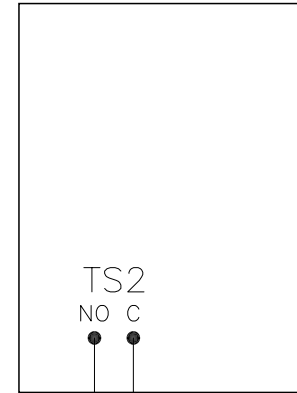
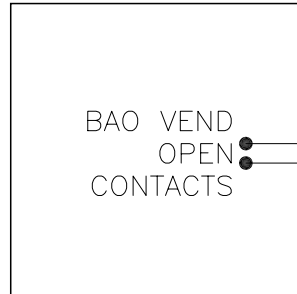


PTI INTEGRATED SYSTEMS PROPRIETARY
 THIS DOCUMENT AND THE INFORMATION DISCLOSED HEREIN ARE
 PROPRIETARY DATA OF PTI INTEGRATED SYSTEMS. NEITHER THIS
 DOCUMENT NOR THE INFORMATION CONTAINED HEREIN SHALL BE
 REPRODUCED, USED OR DISCLOSED TO OTHERS WITHOUT THE
 WRITTEN AUTHORIZATION OF PTI INTEGRATED SYSTEMS.

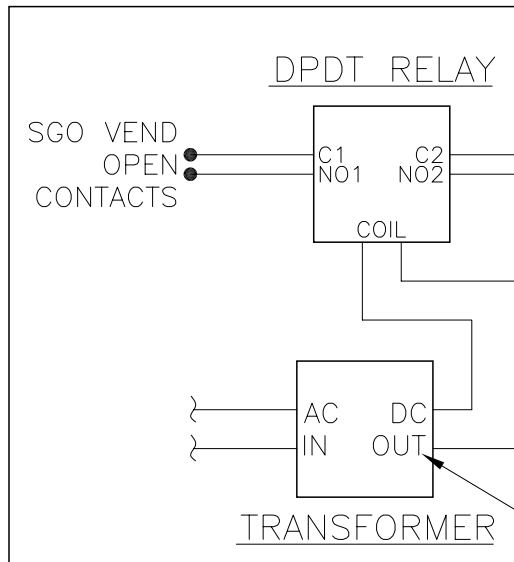
PT REV	DESCRIPTION	BY	DATE
-	RELEASED.	LAC	7/1/02

BARRIER ARM OPERATOR (BAO)

EXIT KEYPAD



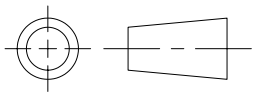
SLIDE GATE OPERATOR (SGO)



NOTES:

- 1) HOUSE TRANSFORMER AND DPDT RELAY WITHIN SLIDE GATE OPERATOR HOUSING.

THIRD ANGLE PROJECTION



DC OUT VOLTAGE OF TRANSFORMER
TO MATCH DPDT RELAY COIL
VOLTAGE REQUIREMENT

UNLESS OTHERWISE SPECIFIED

ALL DIMENSIONS IN INCHES.

TOLERANCE: ±

ANGLE TOLERANCE (DEG): ±

REMOVE BURRS & SHARP EDGES.



8271 E. Gelding Drive
 Scottsdale, AZ 85260
 Phone 480.991.1259
 FAX 480.991.1395

DRAWING DESCRIPTION

WIRING FOR BARRIER
 ARM AND SLIDE GATE
 SIMULTANEOUS TRIP

SIZE SCALE

A NONE

DWG NO.

DRAWN BY

L. CAMPANELLI

DWG REV

-.00

ORIG. DATE

7/1/02

SHEET 1 OF 1