



Falcon Access Control System

Installation and Operation Manual

Revision 4.41 - January 10, 2004



PTI INTEGRATED SYSTEMS.
8271 E. Gelding Drive Scottsdale, AZ 85260
Technical Support (480) 941-1513
Sales (800) 331-6224
www.ptiaccess.com

WARNING: *This equipment generates, uses, and can radiate radio frequency energy and if not installed and used in accordance with the instructions manual, may cause interference to radio communications. It has been tested and found to comply with the limits for a Class A computing device pursuant to Subpart J of Part 15 of FCC rules, which are designed to provide reasonable protection against such interference when operated in a commercial environment. Operation of this equipment in a residential area is likely to cause interference in which case the user at his/her own expense will be required to take whatever measures may be required to correct the interference.*

NOTICE TO INSTALLERS AND SYSTEM OWNERS/OPERATORS:

Reliable equipment operation is dependent upon noise free uninterrupted sources of power. The PTI Falcon battery back-up feature is provided primarily to preserve the integrity of the memory database and operation of the PTI Falcon system. This will not guarantee operation of the gate motor or door actuator for emergency ingress/egress in the event of a power loss or equipment failure. It is the sole responsibility of the purchaser to provide for and facilitate manual non-electrical emergency means of exit in the event of a power failure. Contact your local dealer/installer for options and availability.

From the President...

Dear Customer,

Thank you for choosing PTI quality and reliability for your access control needs. The PTI Falcon has been specifically designed for your needs and will provide you with years of reliable service.

Before beginning your venture into this new technological approach to customer service, please take a few moments to familiarize yourself and your staff with the contents of this manual. It will soon become quite simple for you to understand the simple operation of the Falcon system as well as the options available to you.

If you have purchased the basic Falcon package, I am pleased to tell you that all PTI options are available to you as your needs as well as your customers needs change and grow. PTI offers a full range of options including, Personal Computer Interface for operating in conjunction with Management Software, Door Alarms for each individual unit, VGA quality custom designed graphics specifically written to exemplify your facility, Keypad Intercoms as well as PTI's exclusive CodeXpress Card Access Option.

Most importantly is your choice of company. PTI has been designing and manufacturing access control and security equipment for over 20 years. Our dedication to customer support has always been our #1 concern. This is an invaluable tool to you and your installer as you move into the world of Access Control Electronics.

Once again I thank you for your choice and welcome you and your staff to our family of customers.



Lance Comstock
President

Table Of Contents

1.	Introduction	8
2.	Getting Started	8
3.	Equipment Overview	10
3.1	The Base Unit.....	10
3.2	The Remote Keypad.....	12
3.3	The Remote Keypad with Intercom	12
3.4	The CodeXpress Card Reader	12
3.5	Relay Board.....	13
3.6	2-Channel Relay board\Wiegand device adaptor	13
3.7	Connecting Cables	14
3.8	Accessories	15
3.9	Individual Door Alarms	15
3.10	PTI Site Graphics for Windows.....	16
3.11	Falcon 2000 Access Management software.....	17
4.	Installation	18
4.1	Installation Layout Overview.....	18
4.2	Remote Keypad Installation.....	19
4.2.1	Wiring	21
4.2.1.1	Recommended Wire Type.....	21
4.2.1.2	Installation and Hookup of Wiring.....	21
4.2.1.3	Typical Wiring Scheme.....	23
4.2.1.4	Typical Wiring Scheme continued	24
4.2.2	Keypad Switches.....	25
4.2.3	Testing the Keypad.....	26
4.2.4	Using the PTI Access System Remote Access Points	27
4.3	Individual Door Alarm Installation	28
4.3.1	Multiplexer Box Installation.....	28
4.3.2	Door switch Wiring Methods.....	29
4.3.2.1	Method 1 – Common Ground.....	29
4.3.2.2	Method 2 – End of Line Ground	30
4.3.2.3	Method 3 – Conventional Two Wire	31
4.3.3	Roll Up Door Magnet and Switch Installation	32
4.3.3.1	Method 1 – Brace Mounted Switch Bracket	32
4.3.3.2	Method 2 – Track Mounted Switch Bracket.....	33
4.3.4	Door Alarm (Multiplexer) Board Layout	34
4.3.5	Door Switch Cable Termination	34
4.3.6	Typical Power and Communication Door Alarm Wiring.....	35
4.3.7	Typical Power and Communication Door Alarm Wiring Continued.....	36
4.3.8	Multiplexer Box Switches.....	39
4.3.9	Mux and Channel Hookup List	40
4.3.10	Testing the Alarm Wiring	42
4.3.11	Testing the Multiplexer Communication.....	42
4.3.12	Creating the alarm.alm File	43
4.4	Intercom Call Multiplexer	44
4.5	Remote Relay Board Installation	45
4.5.1	Relay Board Layout	46

4.6	2-Channel Relay\Wiegand Board Installation	47
4.7	Falcon Base Unit Installation	48
4.8	Security Graphics Installation	49
5.	Programming.....	50
5.1	Function #1 – Set Time / Date	51
5.2	Function #2 – Set Time Zone	52
5.3	Function #3 – Set Holidays.....	53
5.4	Function #4 – Vacate a Unit	54
5.5	Function #5 – Rent a Unit.....	55
5.6	Function #6 – Delete a Unit.....	58
5.7	Function #7 – Set Contrast Code	59
5.8	Function #8 – Print Reports.....	60
5.9	Function #9 – Save to Tape	62
5.10	Function #10 – Load From Tape	63
5.11	Function #11 – Open Entrance.....	64
5.12	Function #12 – Clear Alarms	65
5.13	Function #13 – Alarm Controls	66
5.14	Function #14 – Control Options	68
5.15	Function #15 – Adjust Contrast	70
5.16	Function #16 – Update Graphics	71
5.17	Function #17 – Program Version	72
5.18	Function #18 – Set Up Remotes.....	73
5.18.1	Set Up Remotes Flow Chart.....	74
5.19	Function #19 – Set Up Elevators.....	75
5.20	Function #20 – Set Up Lighting or Relay Zones	76
5.21	Function #21 – Clear Remotes.....	77
5.22	Function #22 – Clear Elevators	77
5.23	Function #23 – Clear Lighting Zones.....	77
5.24	Function #24 – Clear Users On Site	77
6.	Function 1000 - Factory Setup Menu	78
7.	Function 1002 - Communications Loop Back Test.....	84
8.	Index	85
9.	Troubleshooting	88
10.	Notes.....	93
11.	Specifications	94
11.1	Base Unit Specifications.....	94
11.2	Remote Keypad / CodeXpress Specifications	94
11.3	Alarm Multiplexer / Relay Board Specifications	94
12.	Warranty.....	95
13.	Return Material Authorization Policy	97
	Service / Maintenance Log	98

1. Introduction

The PTI Falcon is a multi-point access control system capable of hosting an unlimited number of remote keypads or door alarm controllers. Multiple building sections are supported with multiple units per section. In addition, units may be subdivided with a subsection designation. Each unit may be classified into one of eight different access zones, which allows specified entry hours and entry points. Access zone hours may be specified separately for each day of the week and holidays. Up to thirty-two preprogrammed holiday dates are also supported. Any individual unit code may be locked out with a few simple keystrokes. All access activity is logged on a standard computer style printer using standard paper. When used with the optional door alarm system, all door activity is also logged. The PTI Falcon also has built-in rechargeable batteries that allow the programming unit to remain completely operational during a power failure. The simple menu driven programming is easily mastered using the thirty- two character alphanumeric display.

The PTI Falcon contains an optional RS232C serial interface that allows the unit to be completely programmed and controlled by a Personal Computer. The PTI Falcon is capable of interfacing to most major Self Storage management software packages. PTI Remote Management software allows total control of the PTI Falcon system by telephone from any remote location.

The PTI Falcon also supports a complete individual door alarm system. Unlike many competitive systems, the battery backup option allows the PTI Falcon to provide reliable alarm operation even hours after a complete power failure.

The PTI remote keypad contains a back lit silicone rubber booted keypad which is highly weather resistant and a back lit wide temperature liquid crystal display capable of displaying thirty two characters of alphanumeric data. The keypad unit can be used in total darkness with no exterior lighting required. The unique display allows the customer to be given instructions on how to use the keypad as well as a reason for denial in the case of customer lockout. Keypad options include a built-in intercom speaker, a built-in security camera, and a built-in card reader, which allows the customer to gain access by using one of his own magnetic stripe credit cards.

All exterior units are made of an all aluminum weather tight enclosure with stainless steel inserts and screws, resulting in an industrial rather than commercial grade product.

2. Getting Started

Following the checklist below will help you in incorporating the Falcon system into your business operation. Once the installation has been completed you are then able to begin programming the Falcon with the customer data either through the Falcon Base Unit keypad or through the use of your Software Management program or our windows based Falcon 2000 program. If you have purchased a Software Package for your facility, it is still highly recommended that you learn the process of programming at the Falcon Base Unit in the event your Personal Computer is not available to make important changes or transactions. Please note that in the event of a complete power failure, this checklist will be a valuable tool in re-starting the system. Keep it handy!

- Take a few moments and read the manual so that you will be relatively familiar with the Falcon system. It may not be completely clear at first but that is O.K., you will learn easily as you go.
- Complete the questionnaire in the Troubleshooting Section (Page 85).
- Collect your customer files with the customers building section, unit number and access code available (Door Alarm Users will also need to know which Remote Unit (Multiplexer) each user is assigned to as well as which door). If some customers have extended entry hour privileges, have that available also.
- Insure that the RS485 cable, printer cable and 12V power pack are plugged into the Falcon Base Unit.
- Users operating a Management Software Package insure that the RS232C Cable is plugged into the appropriate connector on the Falcon Base Unit as well as the serial port of your PC. (you must use the special RS-232 cable supplied by PTI)
- Power up your Remote Keypad Units, CodeXpress Card Readers, and Door Alarm Multiplexers.
- Turn on your Falcon Base Unit. Users operating Management Software may continue from this point in accordance with your Software manufacturers specifications.
- Set the Time and Date.
- Set the Access Zone Hours.
- Designate Holidays.
- Begin entering your customers.

3. Equipment Overview

3.1 The Base Unit

The Base Unit serves as the main programming console for the PTI Falcon access control system. The picture to the right shows the front view of the PTI Falcon Base Unit.

At the top of the unit there is a two-line liquid crystal display. When the display is not being used for programming it will display the current date and time. The unit contains a keypad in a standard telephone arrangement. Often during programming, you will be asked a "Yes or No" question. When responding, the "*" key indicates "No" and the "#" key indicates "Yes". If you make a mistake when entering data, the "*" key can also be used to backup or rubout one character at a time. When the correct data has been keyed in, the "#" key serves as the <Enter> key to save the data.



This is the rear view of the PTI Falcon Base Unit. The left most connector (RS485) is a 9-pin female connector and connects to the remote keypads and other remote devices. If door alarms are in use, the alarm relay contacts are also present on this connector. The center connector is a 9-pin male connector for the RS232C serial port. This is for connecting a computer with the PTI interface cable. The long connector on the right is a twenty-five pin female which connects a standard parallel Dot Matrix printer to the PTI Falcon. The power switch next to the printer connector turns the unit on and off. The connector on the far right is for the external power supply.



The green indicator light on the front of the base unit indicates that power is being supplied from the external power supply. When the Falcon is on and the green indicator is not on, the system is operating on internal battery power.



The Falcon is powered by an external power pack similar to those used by laptop computers. This power pack has a universal input; it can be used anywhere in the world simply by changing the power cord plugged in to it. It takes the available line power and converts it to 12VDC.

WARNING: TO PREVENT ELECTRIC SHOCK ALWAYS UNPLUG THE POWER CORD FROM THE WALL OUTLET FIRST, BEFORE UNPLUGGING THE CORD FROM THE POWER PACK OR THE FALCON. ALWAYS PLUG THE POWER CORD INTO THE BACK OF THE PTI FALCON BEFORE PLUGGING THE OTHER END INTO A WALL OUTLET.

3.2 The Remote Keypad

A PTI Falcon access control system may contain multiple remote keypads such as the one illustrated on the right. The number of remote keypads will depend on the number of entry points you wish to control at the property.

The Remote Keypad unit contains a silicon rubber booted keypad in a typical telephone style arrangement. The keypad contains LED's behind the rubber boot to light the keypad for night use. These lights are continuously on, although they are not bright enough to be seen in daylight. The Remote Keypad unit also contains a liquid crystal display (LCD). The display is fully alphanumeric which allows complete text to be displayed rather than just numbers. The LCD also contains an LED panel behind it for nighttime viewing. This light comes on when the "*" key is pressed on the keypad to begin a transaction. The housing for all PTI keypads and card readers are all aluminum to resist rusting. To use the Remote Keypad to access the property simply press the star key (*) then your access code and then the pound key (#).



3.3 The Remote Keypad with Intercom

The Remote Keypad with built in intercom can be used at any access point on the property and gives your customers quick access to the site manager if they have any questions or problems.



3.4 The CodeXpress Card Reader

The PTI CodeXpress card reader access control allows the operator to provide card access for the user without carrying the responsibility of purchasing, renting and recouping cards for the facility. PTI carries a pre-programmed magnetic stripe card for those facilities that would like to keep a stock of pre-programmed cards for their customers. PTI recommends asking the customer to select a card within their possession that has a magnetic stripe to be used as their access control card for your property. Assure the customer that the disclosure of the account number on the card is not at risk because the system software mathematically changes the account number into a code usable with the Falcon. Most cards with a magnetic stripe will work. The code corresponding to the card must be entered into the Falcon as the customer's access code.



To determine the code for a particular card, insert the card chosen for access into the card reader. The Falcon will print a code (unknown code 1476537876) that represents that card. Take the number from the printout and enter it as the access code for the desired unit. *The customer can also use the keypad for access if they use the code produced by their card if they choose.*

3.5 Relay Board



The PTI 8-channel relay board has 8 Form C relay outputs on it and can be used to control a variety of devices. Some examples are elevators, lights and perimeter beams. This board also has 8 door alarm channels on it. The PTI 8-channel relay board contains a four digit LCD in the upper left corner of the circuit board for diagnostic messages that are displayed on a continuous basis. **When using Lighting Controls/Relay Controls each zone must have its own relay to activate.**

3.6 2-Channel Relay board/Wiegand device adaptor

The PTI 2-channel relay board can also be used to control elevators, lights, perimeter beams and many other relay controlled devices. This board also has an input for access devices that obey the Wiegand communications protocol. Some examples of these devices are: Proximity card readers, Retinal scanners and thumb print identifiers with many more devices to come in the future.



3.7 Connecting Cables

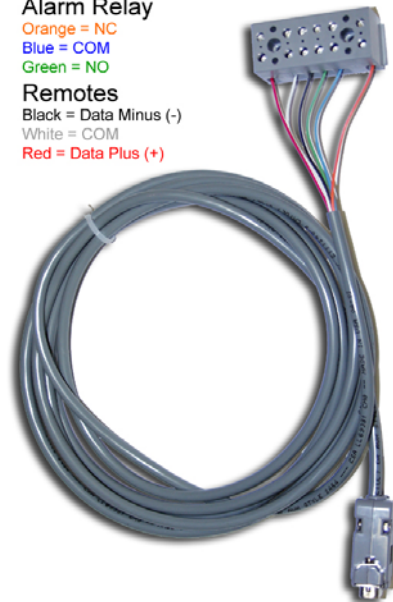
The PTI Falcon requires a few connecting cables for proper operation. When installation is complete and you are ready to turn on the system, the female end of the power cord will plug into the power outlet on the 12-volt DC power pack. The small connector plugs into the Falcon and can be tightened down to prevent it from coming loose. The male end of the power cord will plug into an AC outlet.



WARNING: TO AVOID SHOCK HAZARD, NEVER PLUG THE MALE END OF THE POWER CORD INTO A WALL OUTLET WITH THE FEMALE END EXPOSED!

All of the remote keypads and other devices communicate with the PTI Falcon through the remote patch cord. This cord consists of a 9 pin male connector that plugs into the PTI Falcon. A six position terminal block is on the other end. The first three connectors are for the field wiring from the remote devices. The other three connectors are relay contacts for use with the PTI door alarm system. The current max on the relay is **2A**. If a high power siren is used a secondary relay must be used to handle the current.

Alarm Relay
Orange = NC
Blue = COM
Green = NO
Remotes
Black = Data Minus (-)
White = COM
Red = Data Plus (+)



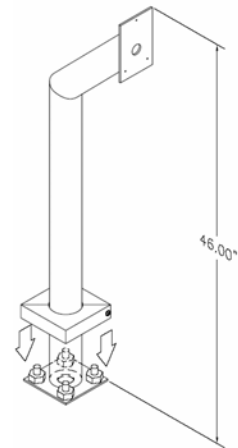
If you have purchased a printer for the PTI Falcon, it will come with a standard computer style printer cable. The printer cable has a twenty-five pin to 36-pin male connector on each end. The 25-pin end plugs into the printer connector on the back of the base unit, and the other end plugs into the printer.

The PTI Falcon has a computer interface for transferring information. The interface cable will be similar to the one pictured to the right. The PTI Falcon end of the cable will have a nine pin female connector and will plug into the nine pin serial port connector on the back of the PTI Falcon base unit. The other end of the cable will have a 9 pin female connector for connecting to the serial port on your computer. This interface port can also be connected to an external modem for connecting to the PTI Falcon at a remote site.



3.8 Accessories

PTI's gooseneck stands are compatible with all PTI keypads and designed to be used drive up applications. The mounting plate has a hole that allows the wiring to be fed up through the stand from conduit. The mounting holes are tapped for an 8-32 machine screw. The bottom plate of the gooseneck stand contains a center conduit hole and four mounting holes arranged on 4-inch centers. There is a cover plate that slides down over the bottom plate after mounting to cover the mounting bolts.



It is highly recommended that the gooseneck stand be electrically grounded to minimize the impact of lightning and static atmospheric charge on the keypad. It is also recommended that the installer seal the conduit hole inside the stand to prevent moisture from entering the Remote Keypad Unit.

PTI offers two versions of the gooseneck stand with 12" and 21" offsets. **A wall mounted stand is also available.**

3.9 Individual Door Alarms



The PTI Falcon supports the use of PTI individual door alarms. PTI door alarms require the use of door alarm multiplexer (mux) boxes, such as the one pictured to the right. A mux box contains a master circuit board capable of multiplexing up to 96 doors. Mux boxes are available to the nearest multiple of sixteen doors up to 96. Each building on the property must have its own multiplexer box or boxes. Multiplexer boxes are connected to the PTI Falcon base unit through the same 3-wire RS485 interface as the remote keypads.

Each alarmed door must have a magnetic door switch mounted on the door. The Mux box will connect to one wire from each switch in addition to a common wire that connects to all switches. 50-conductor telephone cable is often used for the individual door wiring. In addition to the door wiring and communication wiring, each master mux board requires 12V power in order for the board to operate. A single 12V power supply with battery backup is often used to power all of the multiplexer boxes from a central point. This allows the entire field wiring to be low voltage. Each mux box contains a tamper switch to detect break-ins to the mux box itself. Optional 9V battery connections allow for local battery operation of each box this is useful for testing of the system before the office is complete.

3.10 PTI Site Graphics for Windows

PTI Site Graphics provides a full color image of your facility with rental units color-coded according to current status. The image will scan horizontally, vertically, and diagonally as required so that all areas of the property are regularly displayed on the color monitor. The Site Graphics will also zoom in on activity at any unit as it happens. The access events will be displayed across the lower part of the monitor screen. These lines of text are duplicates of the text that is logged on the printer.

There are six primary colors for rental units that are based on the status of the units. The colors are set to the classic PTI Graphics color scheme but can be changes to any color with ease. The **Door Open** and **Door Alarm** colors will not function unless the rental unit is wired with PTI individual door alarms.

The image movement can be controlled with any mouse device. A RF wireless is recommended so you can be further away from the computer and still stop and start the panning or change any configuration settings. Manual panning is done by dragging and dropping the image or clicking on the onscreen **Up**, **Down**, **Left** or **Right** buttons. If the Stop button is clicked, the image will remain still. This allows the use of the image as a property map to direct a customer to their unit.



Site graphics also includes the Self Storage Industries first and only Site Builder program. The Site Builder allows the end user to draw the site map them self's or make changes to units, like numbering changes and subdividing rental units.

3.11 Falcon 2000 Access Management software

Falcon 2000 is a 32-bit Microsoft Access Database application that can control the PTI Falcon system from a PC. The PC may be connected directly to the Falcon using a RS-232 serial port, or may be miles away with the connection established using modems on ordinary phone lines. The Falcon 2000 not only programs the PTI Falcon from a remote location, but it also allows the remote location to retrieve the access log for the property from the Falcon and print it (or save it on disk) at the remote office. It is even possible to open the gate remotely.

It is ideal for those facilities that cannot support a full time manager, especially when used in combination with PTI individual door alarms. To request a demo of the **Falcon 2000 Access Management Software** contact our sales staff at (800) 331-6224 or visit www.ptiaccess.com.

Event	Data	Tenant	Date	Time	Rmt	Area
Enter Area	7015	Hassel / Hutter	27-Jan-04	1:17:00 PM	1	ENTRY KEYPAD
Exit Area	0919		27-Jan-04	1:15:00 PM	2	EXIT KEYPAD
Auto Log Off Site	5027	HALEY WEINBLATT & CA	27-Jan-04	1:04:00 PM	0	
Auto Log Off Site	5057	PLATINUM GIANT BUILD	27-Jan-04	1:02:00 PM	0	
Exit Area	0919		27-Jan-04	1:01:00 PM	2	EXIT KEYPAD
Enter Area	5027	HALEY WEINBLATT & CA	27-Jan-04	12:59:00 PM	1	ENTRY KEYPAD
Enter Area	5057	PLATINUM GIANT BUILD	27-Jan-04	12:57:00 PM	1	ENTRY KEYPAD
Exit Area	0915	GERARD Barock	27-Jan-04	12:50:00 PM	2	EXIT KEYPAD

4. Installation

4.1 Installation Layout Overview

Before starting the installation of your PTI Falcon system you must first determine how the system will be configured. The location and connection method of system components is critical to the security of your site. **For UL installations, the gate operator or door strike that allows access to the secure area must be triggered by a relay located inside the secure area.** This prevents someone from gaining access to your facility by tampering with the external keypad or card reader.

Each remote device is equipped with a tamper sensor that will sound the alarm if the housing for the remote device is opened. When the housing is opened, a remote keypad or card reader will become inoperable. Remote door alarm units will continue to function even with the alarm active. This allows the system to monitor doors even when the system is in the alarm state. **DO NOT BYPASS THE TAMPER DEVICE.** The tamper devices can be temporarily bypassed for testing only during installation. Make sure the bypass is removed before putting the system in operation.

Each remote device requires a minimum of five (5) conductors for proper operation: Power +, Power -, Data +, Data - and Ground. The recommended wiring method is to use 18AWG four (4) conductor twisted pair wire with an overall shield. The drain wire on the shield acts as the required grounding conductor. This conductor helps protect the system from unwanted RF interference and power surges caused by nearby lightning or other sources.

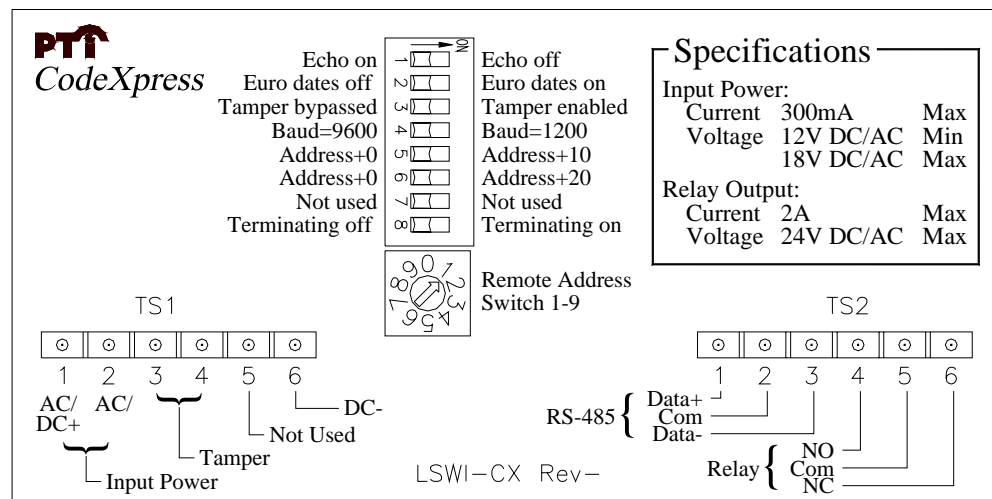
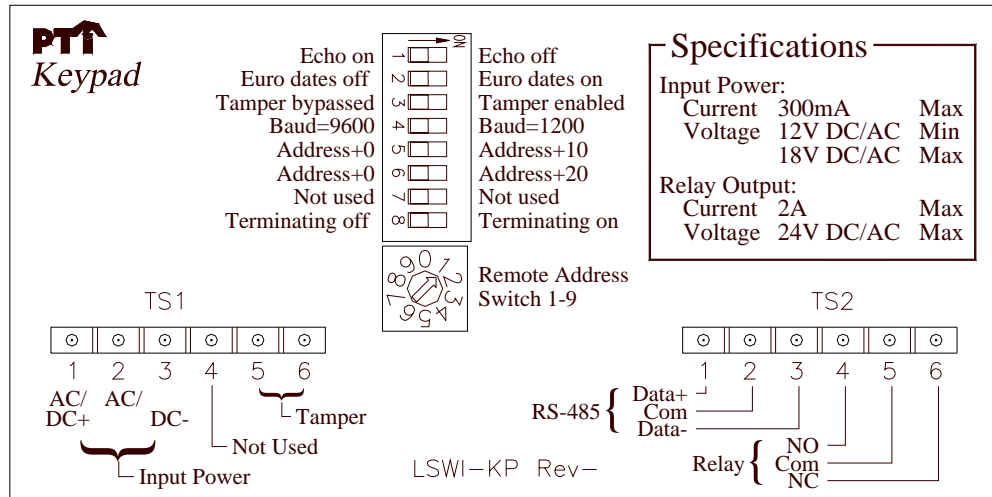
The Falcon base unit provides the Data +, Data -, and Ground wires from the terminal block supplied by PTI. The Power + and Power - wires come from an external power supply. Though the remote devices will function with 12-18VAC, PTI recommends the use of a 12VDC power supply. The number of remote devices being used will determine the required current output of the power supply. To calculate the required current, add up the maximum current for each device. Refer to section 4.2.1.3 for a typical wiring diagram for the power supply.

When using intercoms, an additional cable of two (2) or three (3) 18AWG conductors will be required depending on the type of intercom used. Refer to section 4.2.1.1 for the intercom wiring requirements.

4.2 Remote Keypad Installation

Open the Remote keypad by removing the four stainless steel button head machine screws on the sides of the keypad case. The front and back half will now separate. Mount the back plate to the desired keypad location using the three-keyed holes. The wire mounts supplied with the keypad are for securing the wiring inside the housing.

This is a diagram of the connections found in the Remote keypad and CodeXpress.



Note that the power and tamper connections are different for the CodeXpress and the Keypad. The tamper connections are factory wired and should not be removed.

It is necessary to wire the following items to the remote keypad for proper operation:

- (1) Low voltage power (12-18Vdc/ac).
- (2) RS485 communication wires from the base unit.
- (3) Intercom wires from the office base station (if used).
- (4) Siamese or RG59U + two 18AWG conductors for pinhole cameras (if used).

Use the following diagrams for the wiring connections for the different type of intercom configurations.

4.2.1 Wiring

4.2.1.1 Recommended Wire Type

For the remote units power and data, PTI recommends the use of an 18 AWG – four (4) conductor twisted pair shielded cable with a ground wire. The Belden wire code is 9418. The colors in this cable are red, black, white, green and a bare ground wire. This cable can be used to deliver the power and data wires to the device. Refer to the diagrams in section 4.2 for the wiring connections.

For gate operator or door strike connections, PTI recommends the use of a separate 18AWG – Two (2) conductor cable. For UL installations, the remote device that triggers a gate or door strike must be located inside the secure area.

When using intercoms, an additional cable of two (2) or three (3) conductors will be required depending on the type of intercom used. This wire should be 18AWG two (2) or three (3) conductor with an overall shield for best operation. The following table lists the type of wire required for various intercom systems.

Intercom Type	Required Wiring
LEF Single Master	18AWG – Two (2) conductor with Shield
LEF Multiple Master	18AWG – Three (3) conductor with Shield
NEM	18AWG – Two (2) conductor with Shield
NEM with Intercom Multiplexer	18AWG – Three (3) conductor with Shield

4.2.1.2 Installation and Hookup of Wiring

- (1) Connect low voltage power wires to the keypad from a low voltage power supply or transformer to TS1 as follows:

Terminal:	Keypad Using DC Power:	CodeXpress Using DC Power:	Keypad / CodeXpress Using AC Power:
TS1 – Pin 1	DC + (Red Wire)	DC + (Red Wire)	AC (Red Wire)
TS1 – Pin 2			AC (White Wire)
TS1 – Pin 3	DC – (Black Wire)		
TS1 – Pin 4			
TS1 – Pin 5			
TS1 – Pin 6		DC – (Black Wire)	

- (2) Connect the Data Communication Wires to the keypad terminal TS2 next using the remaining conductors. Terminate the wires as follows:

Terminal:	Connection:
TS2 – Pin 1	Data + (White Wire)
TS2 – Pin 2	Protective Shield (Bare Wire)
TS2 – Pin 3	Data – (Green Wire)

- (3) **(Optional)** Install the relay contact wires to the device to be controlled; both normally open and normally closed relay contacts are available on the following terminals: A separate cable of the appropriate size should be used. Consult the device manual for this.

Terminal:	Connection:
TS2 – Pin 4	Relay Normally Open Contact
TS2 – Pin 5	Relay Common
TS2 – Pin 6	Relay Normally Closed Contact

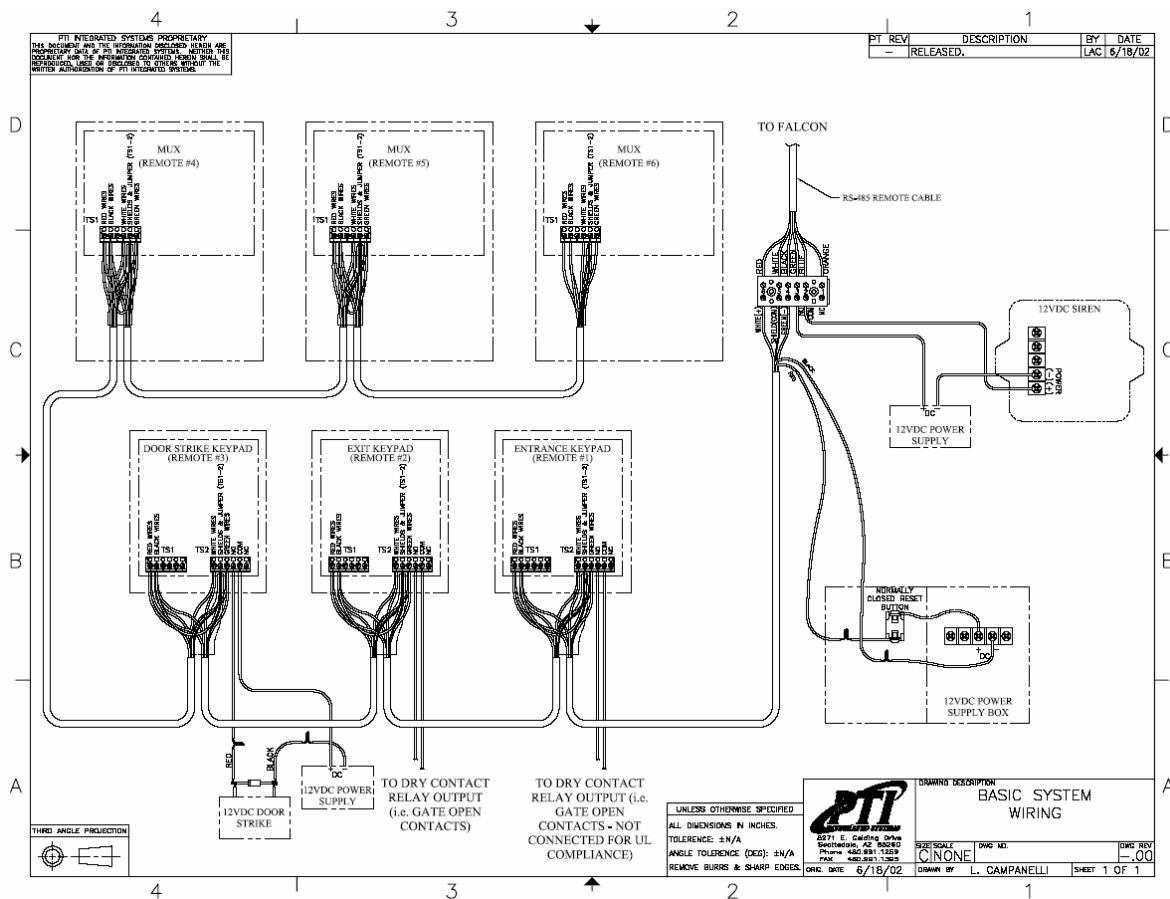
Do not connect a gate operator or door strike to a keypad that is located outside the area it secures. This will prevent someone from gaining access to your site through vandalism.

Most electric gate operators require a normally open contact (pins 4 & 5). Some electric door strikes require a normally closed contact (pins 5 & 6). IF door strikes are used it is recommended that they be 12V DC. A shunting diode must then be installed across the solenoid to prevent ground spikes from disrupting the keypad communication. **DO NOT PLACE A DIODE ACROSS AC STRIKES, AS IT WILL SHORT OUT THE POWER SUPPLY FOR THE STRIKE.**

WARNING: WIRING THE RELAY TO THE OPERATING DEVICE WILL INTRODUCE THE OPERATING DEVICE CONTROL VOLTAGE INTO THE REMOTE KEYPAD HOUSING. THE INSTALLER MUST VERIFY THAT THIS IS NOT HIGH VOLTAGE! THE PTI KEYPAD IS NOT DESIGNED FOR THE PRESENCE OF HIGH VOLTAGE WITHIN THE KEYPAD CASE. RELAY VOLTAGE MUST NOT EXCEED 45 VOLTS.

4.2.1.3 Typical Wiring Scheme

See enlargement on next page

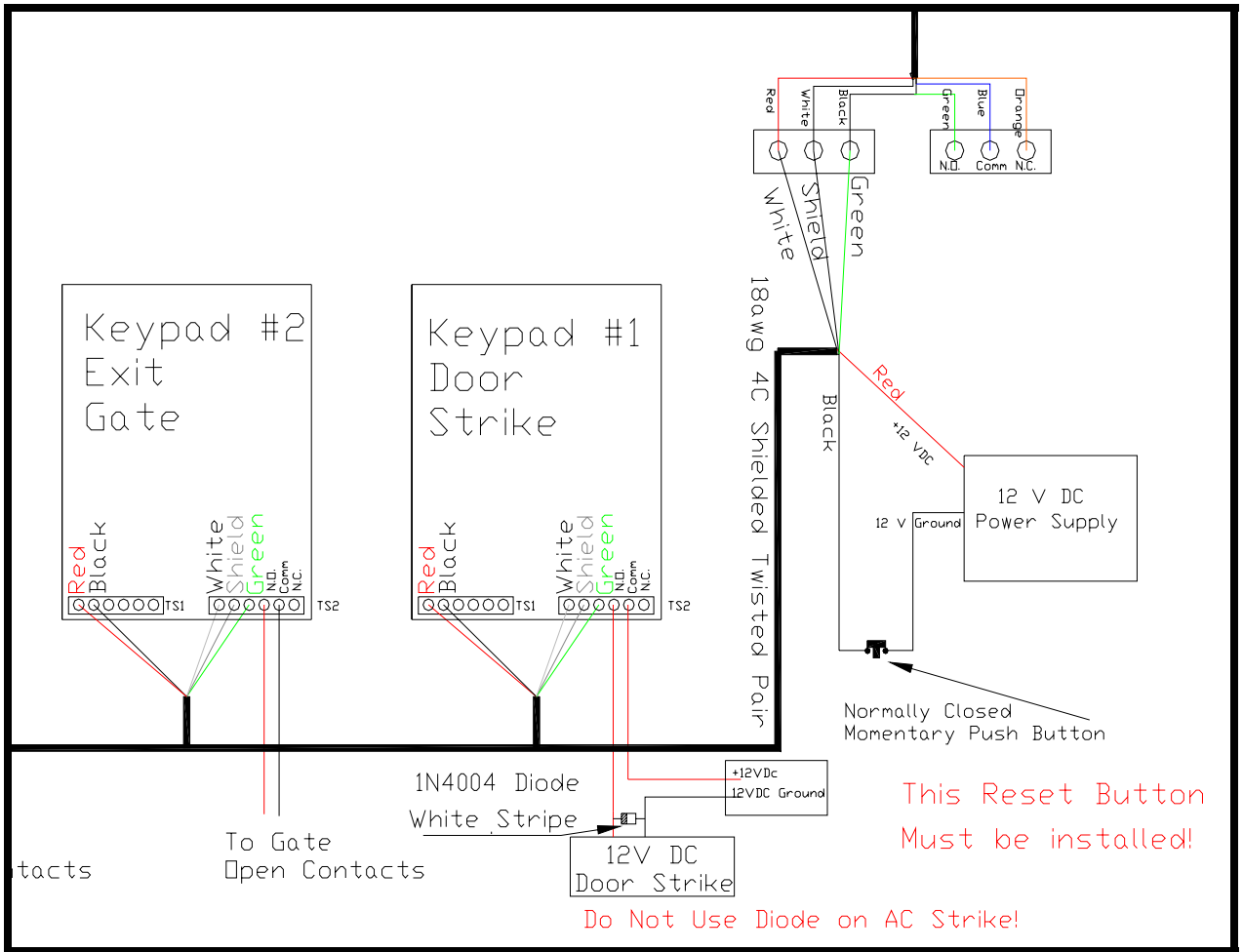


NOTE: UL installations require door strikes to be activated by a device located inside the secure area.

With the RS485 communication scheme, a keypad can be located as far as 4000 feet from the base unit, which is why shielded twisted pair cable with ground wire is required for optimal operation. You must also consider voltage drops across long lengths of wire. The farther the devices are from the office, the larger the gauge of wire that must be used. There is a voltage drop calculation document located at <http://www.ptiaccess.com/download/quick5.html>

THE SYSTEM WILL NOT OPERATE PROPERLY IF THE VOLTAGE IS BELOW 12VDC. Extreme care should be taken when choosing a power supply voltage and current rating. Long distance runs may require a remote power supply to be installed to ensure proper operation.

4.2.1.4 Typical Wiring Scheme continued



4.2.2 Keypad Switches

The keypad switches must be properly set. The default setup for the PTI Falcon system considers **Odd** numbered keypads to be **Entrance** keypads and **Even** numbered keypads to be **Exit** keypads. Function 18 can be used to override these settings if necessary. The device address for each keypad is set with the red rotary switch. DIP switch number five adds 10 to the number selected on the rotary switch and should be turned on whenever you need to use address 10 through 19 on remotes. Switch 6 is similar to switch 5 except it adds 20 to the number selected on the rotary switch this should be used for remote addresses 20 - 31. It is possible to set the device address to any value from 0 – 39. Currently the Falcon can only communicate to remotes addressed 1 – 21 and 23 – 31, 0 and 22 are reserved for the Falcon.

31 is the highest remote number that the Falcon can communicate without utilizing an 'Expansion Board'.

Finally, you must set the position of the eight DIP switches as needed for proper keypad operation. The switch functions are summarized in the following table:

Switch 1	OFF	= echo code on display	ON	= no echo
Switch 2	OFF	= European Dates off	ON	= European Dates on
Switch 3	OFF	= Tamper Enabled	ON	= Tamper Disabled
Switch 4	OFF	= 9600 Baud	ON	= 1200 baud
Switch 5	OFF	= add zero to unit number	ON	= add ten
Switch 6	OFF	= add zero to unit number	ON	= add twenty
Switch 7	OFF	= not used	ON	= not used
Switch 8	OFF	= high comm. Line impedance	ON	= low

- **Switch 1** When Switch 1 is turned **ON**, the display will show XXXXXXXX's instead of 12345678 the actual numbers being pressed on the touchpad. This may be set to your individual preference.
- **Switch 2** When Switch 2 is turned **ON**, the date will be displayed in DD/MM/YY instead of MM/DD/YY.
- **Switch 3** When Switch 3 is turned **ON**, the Tamper feature is enabled. When this is enabled you will need to install a tamper device on the actual keypad and connect the **NO/COM** of your tamper devices' dry contacts to the corresponding pins on our keypad. **(Please refer to your keypad-wiring diagram for the correct pins on TS1)**
- **Switch 4** When Switch 3 is turned **ON**, the keypads communication speed is set to **1200** Bps the default for all PTI equipment manufactured after 01/2000 is **9600** Bps. The Falcons communication speed is defined in [Function 14](#).
- **Switch 5** is used to add 10 to the number selected on the rotary switch and should be turned on whenever you need to use address 10 through 19 on remotes.
(Addresses 0 and 22 will not function, as they are reserved for Falcon communication)
- **Switch 6** is similar to switch 5 except it adds 20 to the number selected on the rotary switch this should be used for remote addresses 20 - 31.
(Addresses 0 and 22 will not function, as they are reserved for Falcon communication)
- **Switch 7 NOT USED**
- **Switch 8** is used to enable the High impedance for the communication and should only be used on the last device of a line exceeding a length of 800 feet.

NOTE: There should only be one (1) remote with the terminating resistor ON!

4.2.3 Testing the Keypad

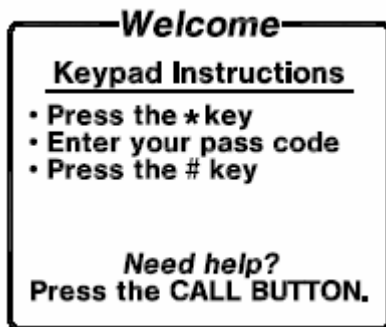
- (1) Test the display by applying power to the keypad. A default date and time should appear on the display after power is applied. The PTI Falcon base unit updates the date and time to the remote keypads once a minute, the date and time on the display should update if the remote is configured correctly. You can also for a time update to the remotes by pressing * # # # # # on the Falcon, to verify that the backlight is working press the * key. The backlight should come on and the display will display "Please Enter Access Code". If no keys are pressed for 10 seconds the display will return to the Date/Time and the backlight will shut off.
- (2) To test the touchpad operation press the '*' key. When the display shows 'Please Enter Access Code', press the 0,1,2,3,4,5,6,7,8,9. You should see each digit appear on the display as it is pressed (you will see an "X" for each digit if DIP switch #1 is ON). After pressing the # key to transmit the code to the Falcon, the display will show "Please Wait" until a response is returned from the Falcon. If your keypad is communicating with the Falcon, the display will show either an 'Entry Granted' or any corresponding message for more information on keypad messages please refer to the [Trouble Shooting Section](#).
- (3) Test for communications with the base unit by turning on the base unit and entering the correct date and time into the base unit. The date and time at the Falcon should be sent to the keypad and appear in the display after it is changed in the base unit. This verifies communications from the base unit to the keypad. Test communications from the keypad to the base unit by entering an access code into the keypad and pressing the "#" key. If the keypad display responds with anything other than "Please Wait" before returning to the date and time, the keypad has successfully communicated with the base unit. If you only get a display of "Please Wait" and the keypad defaults back to the power up default time of 12:00 you will need to recheck your wiring, Baud rate settings, rotary switch settings and also make sure the Falcon is set to the proper number of remotes. For more information on Control Options see [Function 14](#).

4.2.4 Using the PTI Access System Remote Access Points

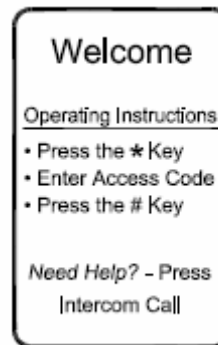
To use the PTI Remote Keypad press the * key then enter your access code and press #.

To use the PTI CodeXpress Keypad you can enter the access code the same as the Remote Keypad or swipe an access card upwards or downwards through the card slot with the magnetic strip on the card facing to the left. Apex keypads allow using a magnetic strip card, weigand card, or the touchpad depending on the configuration.

The instructions below can be copied and cut into instruction cards for the system users.



Keypad / Keypad w/Intercom



Apex Keypads



CodeXpress Keypads

4.3 Individual Door Alarm Installation

The PTI door individual door alarm system is very unique when compared to most alarm systems. Through the use of the RS-485 communication scheme we are able to control hundreds of alarm points from a single communication line. Unlike many other systems including home alarms, you have limitations that require many different expanders to handle as many doors. The PTI multiplexer (Mux) is the only multiplexer that is expandable by banks of sixteen all the way up to 96 points per Mux, unless a Wireless Mux is then you are limited to 4000 points per wireless Mux. This allows for greater flexibility when drawing a site layout.

There are several different ways to install and wire the individual doors and each has its own advantages and disadvantages. It is most important that time is taken to determine the best method for your application and a wiring diagram followed to ensure a proper installation for years to come. As an installer you must realize the consequences of a poor installation and the excessive labor that can develop because of it. The following will outline some of the different methods. These examples are not the only way, but are methods that have been proven over the years.

4.3.1 Multiplexer Box Installation

- (1) Find an appropriate location for the installation of each multiplexer (MUX) box required for the door alarm system. It is recommended that each building has its own mux box. Buildings with a large number of doors to alarm may require more than one mux box. Remember that although the mux boxes may look identical on the outside, some boxes may be configured to handle more doors than other boxes, so take care to match the correct box to each building. The Mux enclosures are rainproof and may be mounted outdoors use indoor mounting if available. Whenever installing a Mux box indoors, make sure that the box is accessible. Above the entrance door to a building with hallway access makes an ideal location.

NEVER locate a mux box inside of a storage unit or any other location that will not be easily accessible in the future.

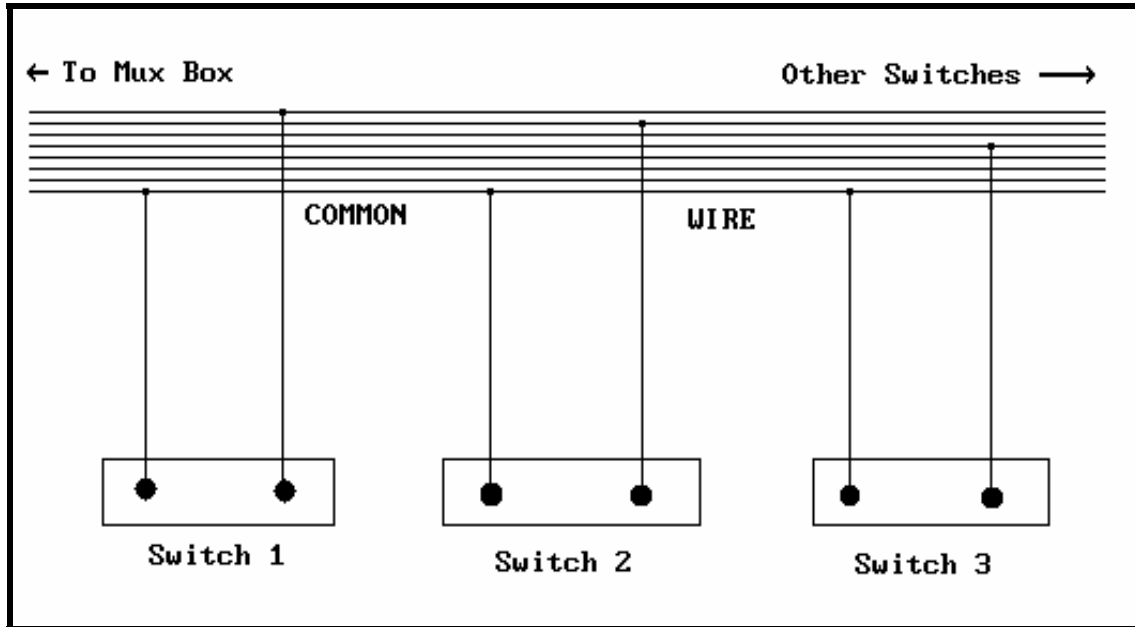
- (2) Mount each mux box by **removing** the lid and circuit board. Once removed install sinking screws or bolts through the mounting holes into the wall. If the circuit board is not removed during installation take care not to damage the circuit board during the mounting process. If you must drill to mount the box, do not allow any metal fragments to become lodged on the circuit board.

Knock outs have been provide at the bottom and rear of the box for multiple wiring configurations. Please be sure to install grommets or bushings or conduit on any wiring entrance.

4.3.2 Door switch Wiring Methods

There are three acceptable wiring methods for individual door alarm wiring.

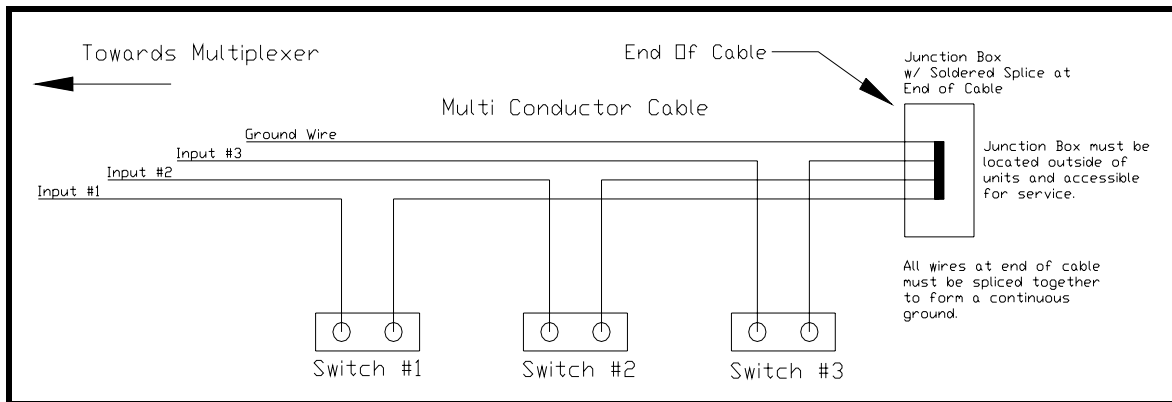
4.3.2.1 Method 1 – Common Ground



Install the door-to-door wiring cable and door switches. Splice the door switch wires into the main cable as indicated above. 3M UG and UY connectors are recommended and available through PTI for the wire splices. Choose a different color wire for one side of each switch, which will be BUTT, spliced with a 3M UY connector. Choose one wire as the common wire to the other side of all the switches on the cable, this can be connected with a 3M UG in line splice.

There are several possible cable routing schemes. You may decide to route one door-to-door cable from the mux box, or several depending on the number of conductors in the cable used and the box location within the building. Remember that the maximum number of switches on one cable with method #1 is equal to the number of conductors in the cable minus one. Telephone cable is commonly available in twenty-four conductor (12 pair) or fifty conductor (25 pair). One size will generally work better than the other depending on the number of doors and the mux box location.

4.3.2.2 Method 2 – End of Line Ground

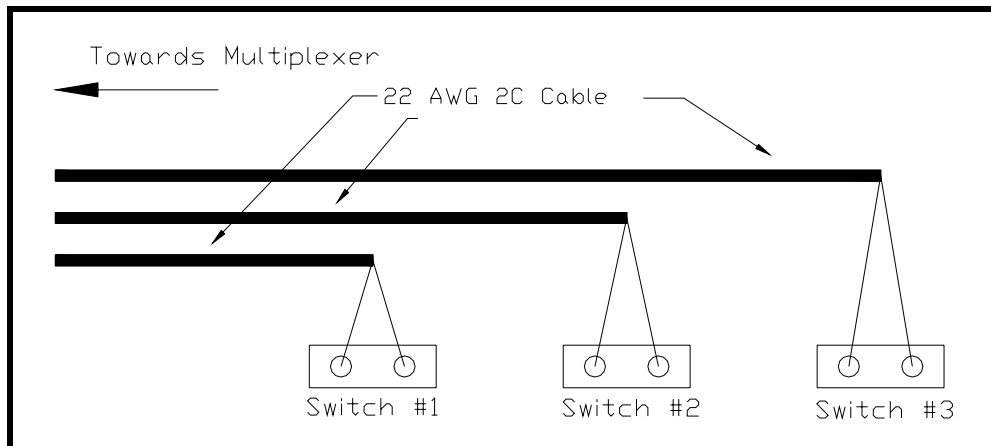


Install the multi-conductor door-to-door wiring cable and door switches. Splice the door switch wires into the main cable as indicated above. 3M UG connectors are recommended for splicing the door switch cable into the multiconductor cable. Choose a different color wire for each switch then cut it and splice the switch wiring into each end of the cut wire using a 3M UY connector. Any wires not used in the multiconductor cable can be used as a ground and terminated in the multiplexer on the door input ground plane.

Install a junction box outside of the units and at the end of the multiconductor and punch the wire through to the junction box. Strip all ends of the multiconductor cable and solder them together then protect the connection with a wire nut and electrical tape.

****Note -** When testing this system make sure you open all doors then close them one by one, otherwise if a wiring mistake was made and 2 switches are on the same wire the problem will not show up properly and one door channel will print for both doors.

4.3.2.3 Method 3 – Conventional Two Wire



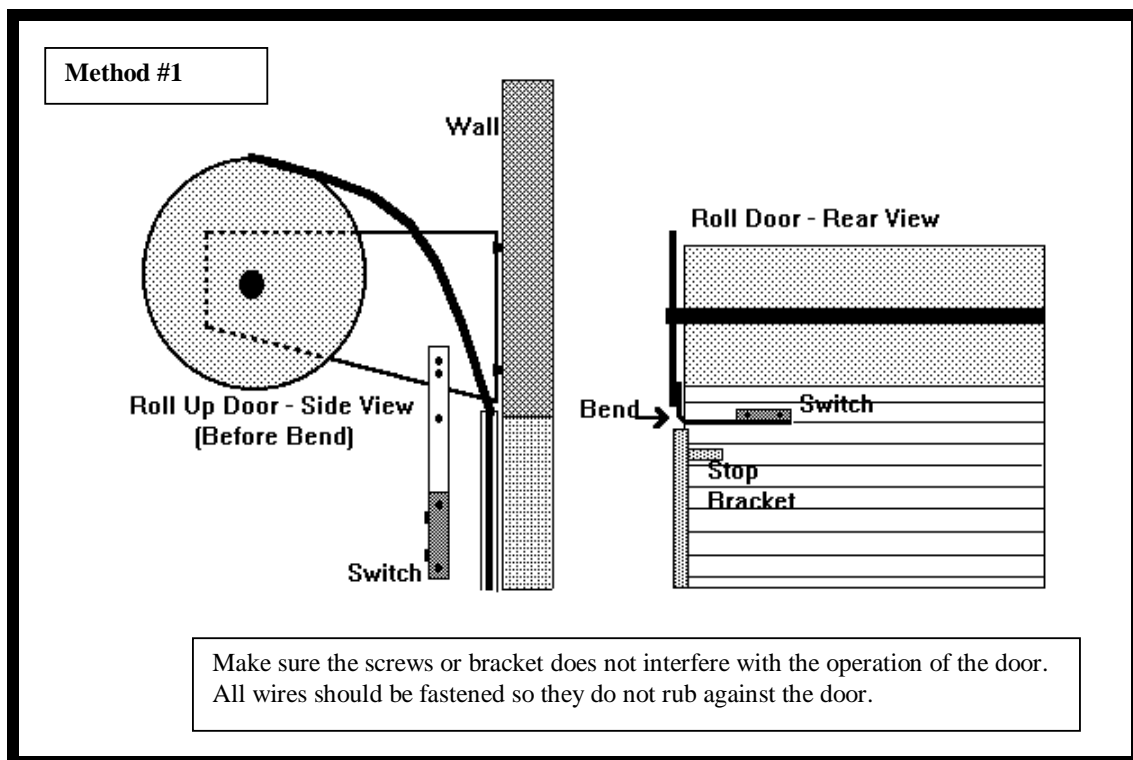
Method 3 is wired the same way a conventional alarm panel is by using 2 separate conductors for each and every door. A 22awg 2 Conductor cable is run to each door and terminated at each door switch. The opposite end in the mux is then punched down accordingly. Due to the limited number of grounds terminals available on the multiplexer it will be necessary to group some of them together then punch down a single wire.

4.3.3 Roll Up Door Magnet and Switch Installation

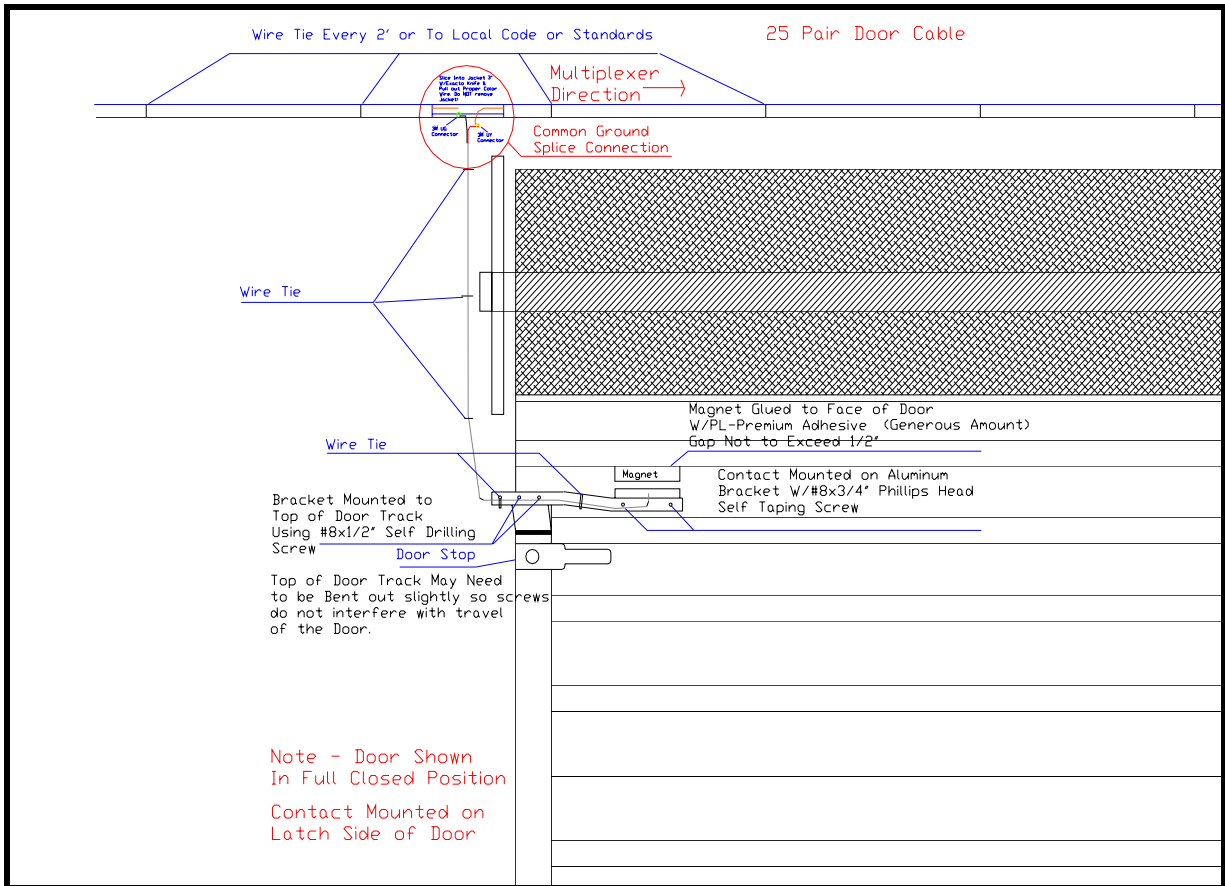
Self-Storage doors are all manufactured slightly differently so care and time must be taken in the beginning to determine the best method for your application. The most important thing to keep in mind is what will happen over time. The door clearances will become larger and the door could possibly come up past the doorstop. The location of the switch should be chosen based upon this. Be sure to mount your hardware so neither the bracket nor the mounting screws will interfere with the operation of the door. NEVER MOUNT THE MAGNET DIRECTLY TO THE DOOR STOP.

Only switches rated for a 2" gap or more should be used, these can be supplied by PTI if desired. If the magnet is mounted directly to a metal surface than a spacer should be used to help the magnet retain its magnetism over time. The gap between the switch and magnet should NEVER exceed 1/2". ALWAYS mount the magnet and switch on the latch side of the door to prevent false alarms from door movement. Roll up doors often require the use of a mounting bracket for the switch as shown below in the diagrams. The magnet may be either bolted or riveted to the door using the two mounting holes and or glued using a premium adhesive such as PL-Premium. Do NOT use Liquid Nails® as the only adhesive device as it tends to break down and fail over time. An overhead door switch can also be used and mounted to the concrete floor as long as armor cable is used to protect the cable on the switch from damage.

4.3.3.1 Method 1 – Brace Mounted Switch Bracket

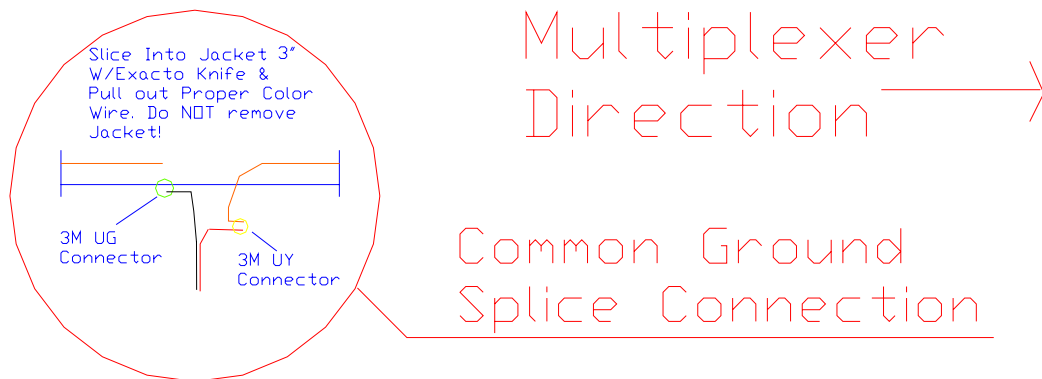


4.3.3.2 Method 2 – Track Mounted Switch Bracket

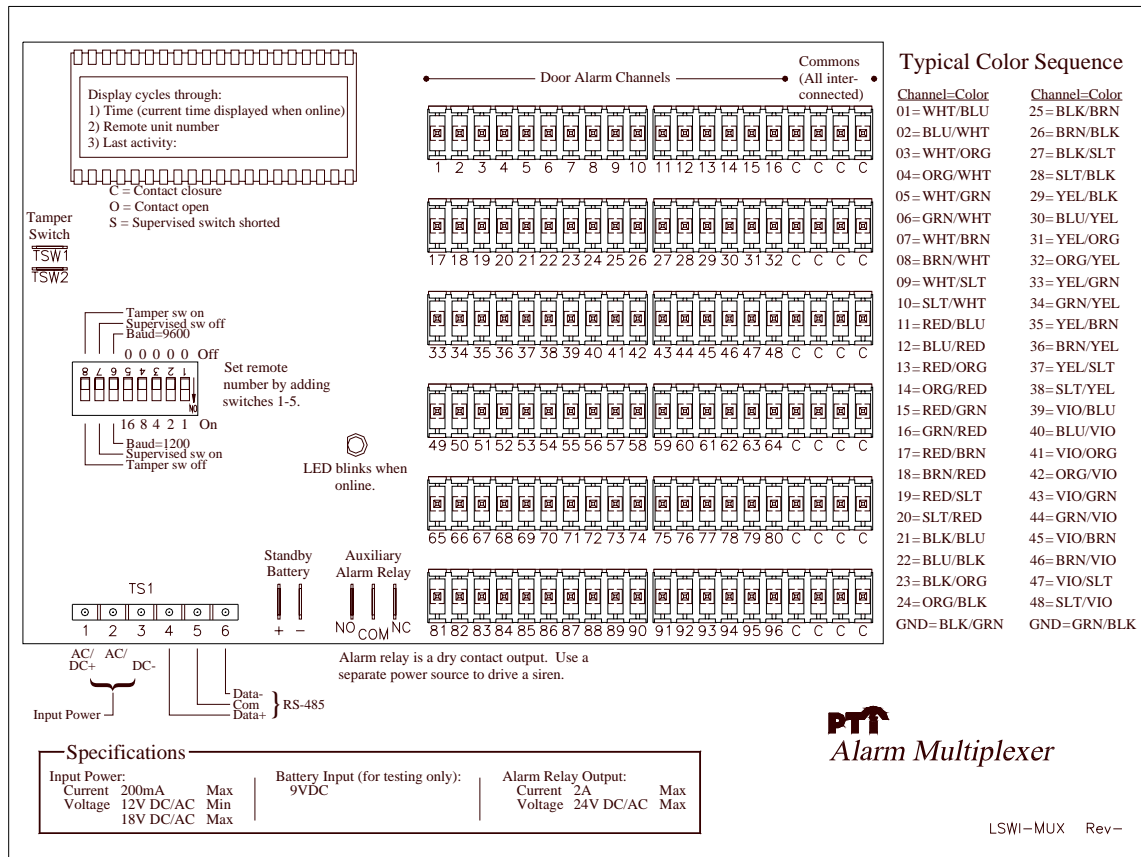


This method can be used with certain types of doors. You must make sure the tab at the top of the door is bent out far enough to clear the screws to hold the bracket. The magnet can then be installed, riveted and/or glued to the inside of the door. **DO NOT ATTACH THE BRACKET TO THE DOOR STOP!**

Wire connection detail:



4.3.4 Door Alarm (Multiplexer) Board Layout



4.3.5 Door Switch Cable Termination

Terminate the wires from the door-to-door wiring cable on the mux board connectors. There must be one separate wire from each door switch and a common wire from all door switches per cable. Terminate the separate wires on the twenty position terminal strips, beginning with position #1 on the top left. There are sixteen door channels per connector row followed by four common wire connections per row. The common wire (ground) or wires may be terminated on any of the last four-positions of any row. The wires are terminated using a Panduit punch down tool available from PTI. **Do not use a standard telephone punch down tool or screwdriver as this may cause problems in the future.** Be sure not to punch down the wires with the connectors still on the board but place the removable connector on a hard surface to punch down. This will insure a good connection and prevent unnecessary damage to the PCB board.

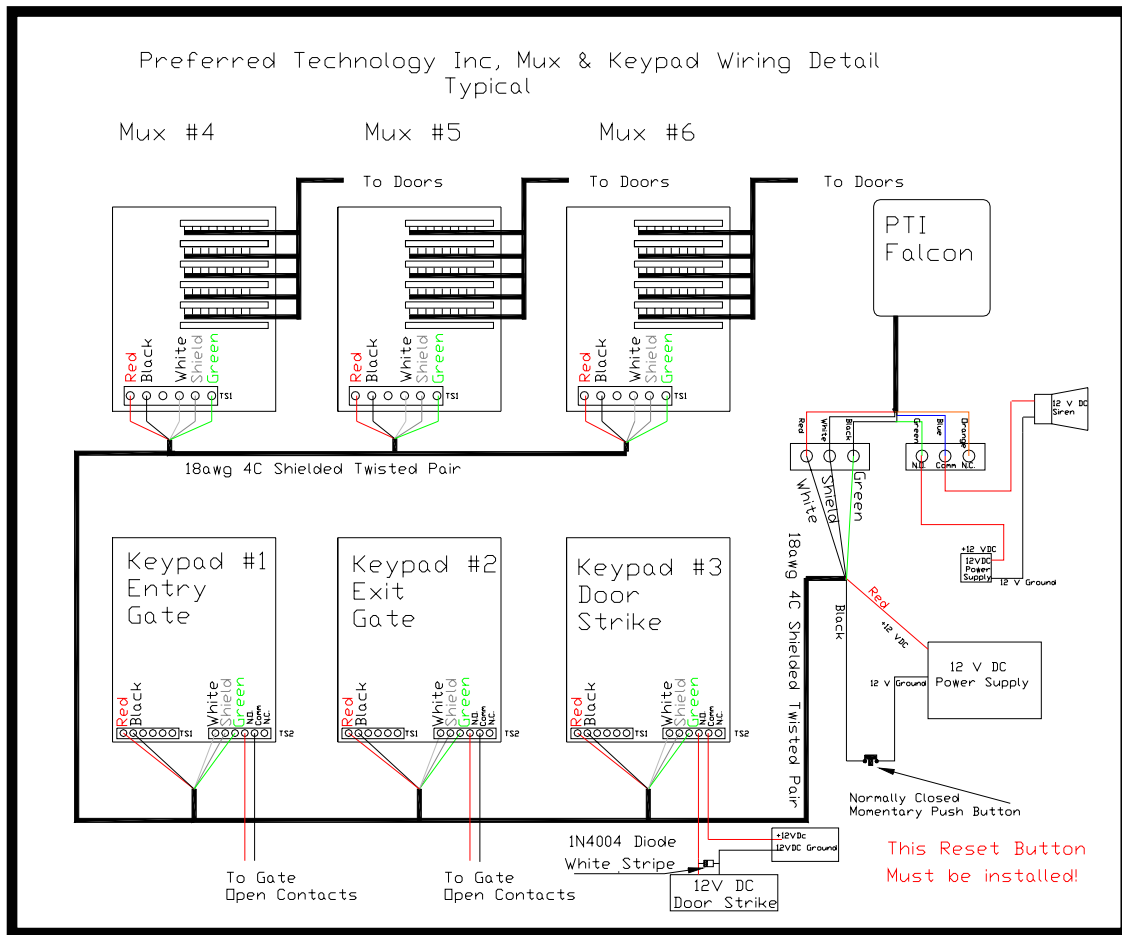
Install the communication and power wiring to the mux boxes. Communications and 12 VAC or DC power may be run through the same cable if a cable with two

individually shielded twisted pairs is used. For proper operation of the Mux it should have no less than 12V or more than 18V, also use no less than 18 AWG wire to lessen voltage drops on longer runs. If wire runs are longer and cause the voltage to drop below the 12V you may need to install a secondary power supply throughout the facility for information on this application please refer to <http://www.ptiaccess.com/download/quick.html> or contact your sales representative. Using smaller gauge wire will cause problems with voltage drops and the RS485 communication.

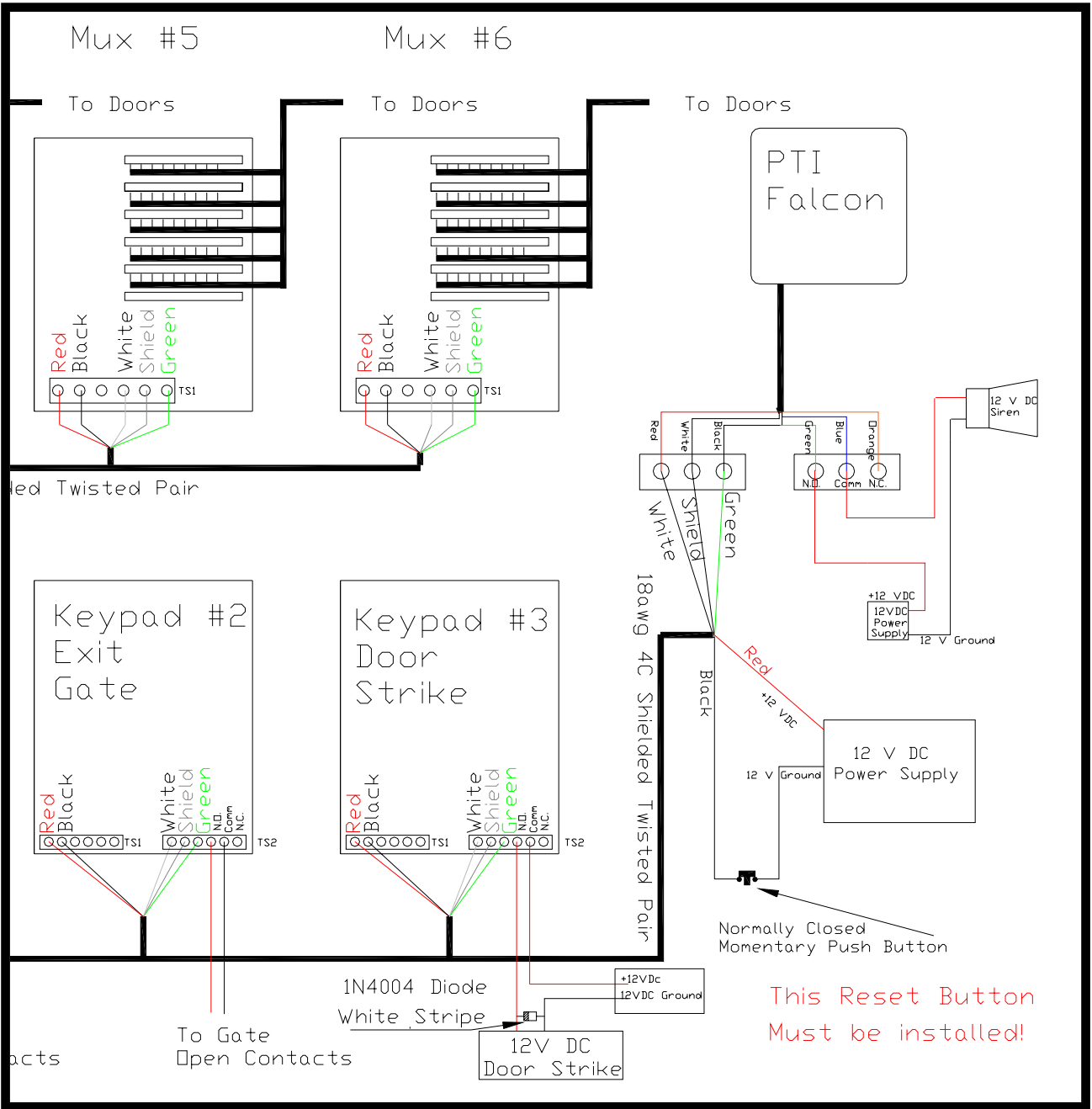
Any remote device will NOT operate properly if any voltage drops below 11.5V on the input.

4.3.6 Typical Power and Communication Door Alarm Wiring

See enlargement on next page



4.3.7 Typical Power and Communication Door Alarm Wiring Continued



4.3.8 Multiplexer Box Switches

Switch 1:	OFF = adds zero to unit number	ON = adds one
Switch 2:	OFF = adds zero to unit number	ON = adds two
Switch 3:	OFF = adds zero to unit number	ON = adds four
Switch 4:	OFF = adds zero to unit number	ON = adds eight
Switch 5:	OFF = adds zero to unit number	ON = adds sixteen
Switch 6:	OFF = 9600 Baud Communication	ON = 1200 Baud
Switch 7:	OFF = Supervised Switches Off	ON = Supervised on
Switch 8:	OFF = Tamper Switch Enabled	ON = Tamper disabled

Switch 1 – 5 Are used to set the address on the Mux just like the keypads they can be addressed up to 31. Also remember that remotes 0 and 22 will not function since they are reserved for the Falcon.

Switch 6 This is the same as switch 4 on the keypads. It is used to set the communication speed from 9600 to 1200. This setting must match the setting of all remotes as well as the setting in the Falcon in Function 14.

Switch 7 This function is only turned on when you are using special door contacts with a built in 4.7K Ω resistor. PTI's ships regular door contacts without the resistors unless specified by the end user. This will detect any shorts in the door-to-door wires. If a tenant tries to bypass a door switch the alarm will go off. This option requires PTI supervised switches.

If this is enabled and regular door contacts are used the system will not function correctly and report erroneous door activity.

Switch 8 This enables and disabled the built-in tamper device in the Mux.

DIP switches 1 – 5 allow you to set the Mux box unit number using a binary code. The boxes may be numbered in any order as long as each box has a unique unit number that is not the same as any other mux box or keypad. It is typical to begin numbering the mux boxes at one higher than the last remote keypad number. For example, if there are two gate access keypads numbered one and two, then the mux boxes will be numbered three, four, five, etc. Using DIP switches 1 – 5 allows the mux box unit number to be set to any number from zero to thirty one. The Mux box unit number is displayed in the four-digit display in the top left corner of the board. For example, remote unit number twenty may be selected by placing switches three and five **ON** and switches one, two, and four **OFF**. The result is then **4 + 16 = 20**.

4.3.9 Mux and Channel Hookup List

The following pages can be copied and used during the install of the PTI Door Alarm System.

Inputs 1 to 48

Site Name _____					Date _____
Mux Address _____		Wire # _____			Number of Doors _____
Unit #	Input #	Tie In	Wire Color	Test	Comments
	1		WHT/BLUE		
	2		BLU/WHT		
	3		WHT/ORG		
	4		ORG/WHT		
	5		WHT/GRN		
	6		GRN/WHT		
	7		WHT/BRN		
	8		BRN/WHT		
	9		WHT/SLT		
	10		SLT/WHT		
	11		RED/BLU		
	12		BLU/RED		
	13		RED/ORG		
	14		ORG/RED		
	15		RED/GRN		
	16		GRN/RED		
	17		RED/BRN		
	18		BRN/RED		
	19		RED/SLT		
	20		SLT/RED		
	21		BLK/BLU		
	22		BLU/BLK		
	23		BLK/ORG		
	24		ORG/BLK		
XXXXXXX	GROUND #1	XXXXXX	BLK/GRN	XXXXXX	GROUND #1
	25		BLK/BRN		
	26		BRN/BLK		
	27		BLK/SLT		
	28		SLT/BLK		
	29		YEL/BLU		
	30		BLU/YEL		
	31		YEL/ORG		
	32		ORG/YEL		
	33		YEL/GRN		
	34		GRN/YEL		
	35		YEL/BRN		
	36		BRN/YEL		
	37		YEL/SLT		
	38		SLT/YEL		
	39		VIO/BLU		
	40		BLU/VIO		
	41		VIO/ORG		
	42		ORG/VIO		
	43		VIO/GRN		
	44		GRN/VIO		
	45		VIO/BRN		
	46		BRN/VIO		
	47		VIO/SLT		
	48		SLT/VIO		
XXXXXXX	GROUND #2	XXXXXX	GRN/BLK	XXXXXXX	GROUND #2

Inputs 49 to 96

Site Name _____ Date _____

Mux Address _____ Wire # _____ Number of Doors _____

Unit #	Input #	Tie In	Wire Color	Test	Comments
	49		WHT/BLUE		
	50		BLU/WHT		
	51		WHT/ORG		
	52		ORG/WHT		
	53		WHT/GRN		
	54		GRN/WHT		
	55		WHT/BRN		
	56		BRN/WHT		
	57		WHT/SLT		
	58		SLT/WHT		
	59		RED/BLU		
	60		BLU/RED		
	61		RED/ORG		
	62		ORG/RED		
	63		RED/GRN		
	64		GRN/RED		
	65		RED/BRN		
	66		BRN/RED		
	67		RED/SLT		
	68		SLT/RED		
	69		BLK/BLU		
	70		BLU/BLK		
	71		BLK/ORG		
	72		ORG/BLK		
XXXXXXX	GROUND #1	XXXXXX	BLK/GRN	XXXXXX	GROUND #1
	73		BLK/BRN		
	74		BRN/BLK		
	75		BLK/SLT		
	76		SLT/BLK		
	77		YEL/BLU		
	78		BLU/YEL		
	79		YEL/ORG		
	80		ORG/YEL		
	81		YEL/GRN		
	82		GRN/YEL		
	83		YEL/BRN		
	84		BRN/YEL		
	85		YEL/SLT		
	86		SLT/YEL		
	87		VIO/BLU		
	88		BLU/VIO		
	89		VIO/ORG		
	90		ORG/VIO		
	91		VIO/GRN		
	92		GRN/VIO		
	93		VIO/BRN		
	94		BRN/VIO		
	95		VIO/SLT		
	96		SLT/VIO		
XXXXXXX	GROUND #2	XXXXXX	GRN/BLK	XXXXXXX	GROUND #2

4.3.10 *Testing the Alarm Wiring*

The PTI Mux board contains a four digit LCD in the upper left corner of the circuit board. There are three different diagnostic messages displayed on a continuous basis:

- (1) The display will show the time of day in the format HH:MM. The time is transmitted to the Mux board from the PTI Falcon base unit once a minute. The time will default to 12:00 at power up. If the time display changes to match the base unit within one minute and the green LED begins to blink, communications has been established with the PTI Falcon base unit.
- (2) The display will show the unit number of the Mux box in the format Un:XX, where XX is the two digit unit address set with DIP switches 1-5 in the range 00-31.
- (3) The display will show the number of the last switch channel to Open, Close or Short in the format O-XX, C-XX or S-XX, where XX is the two digit channel number in the range 00-96. Channel 00 is the door tamper switch and channels 01-96 are normal alarm switches. Example O – 11 = channel #11 was opened, C – 11 = Close channel 11. On version 2 Muxes this will alternate between the last event and the version number of the Mux in the form of rX.XX where X is the version numbers.

This is not the unit number and must be cross-referenced in the Falcon programming or the Alarm.alm file to associate the proper unit number.

NOTE – A 9 V DC battery can be connected to the Batt terminals input on the mux to check the doors before permanent power is connected. This is extremely helpful when the conduits and office are not in place yet. This is not a battery backup option if a battery is left on these terminals when power is applied undesired operation will occur.

4.3.11 *Testing the Multiplexer Communication*

To test communications with the alarm multiplexer box, your PTI Falcon base unit must be installed and operational, and your communication wiring to the alarm mux box must be in place. Test communications as follows:

- (1) Check that all wiring is in place, all switches properly set, and all cables plugged in to the back of the PTI Falcon base unit. Apply power to the alarm mux boxes.
- (2) Open Falcon 2000 or load the printer with paper according to the instructions in the printer manual and apply power to the printer.

- (3) Apply power to the PTI Falcon base unit. After one minute or less, the Falcon 2000 event log or the printer connected to the PTI Falcon will print "Comm On - Remote XX" along with the date and time as shown on the base unit display, where "XX" is the remote unit number for which communications has been logged on. If communications is lost to a remote device after being logged on, the message "Comm Off - Remote XX" along with the date and time will be logged on the printer.
- (4) The time on the base unit will be displayed on the MUX board and the green LED will begin to blink when the unit starts communicating with the Falcon base unit.

4.3.12 *Creating the alarm.alm File*

Once the Door alarm system is installed the units should be opened individually to test the wiring connections and door switches. As the units are tested a list of what MUX and Channel they are connected to needs to be created. The MUX and Channel information is required for the Falcon base unit to know what unit number is being opened. The Mux and Channel numbers can be programmed directly into the Falcon using Function # 5. If the Falcon is going to be connected to a computer, the MUX and Channel information **MUST** be put in the Alarm.alm file in the C:\PTI directory or into the Falcon 2000 Software. **For more information on entering the information in Falcon 2000 please refer to the falcon 2000 User Manual.**

Note that the file must be in alphanumeric order and a carriage return (enter) is required after each line. The 1 on the end of each line turns the unit alarm on. Once the file is created it can be downloaded along with rental information to the Falcon with an Accounting Software Interface.

If the alarm file is not sorted properly, the download will NOT work. Make sure all unit numbers are sorted. Preceding zeros should be used in the unit number to ensure a proper sort of the data.

The data format for the Alarm.alm is as follows in the example below.

“UNIT NUMBER, MUX NUMBER, CHANNEL NUMBER, 1”

```
0033,4,28,1
0034,4,29,1
0035,4,30,1
0035A,4,31,1
0036,4,32,1
0037,4,33,1
A0101,5,82,1
A0103,5,83,1
C1427,17,42,1
C1428,17,41,1
C1429,17,40,1
```

4.4 Intercom Call Multiplexer

The PTI door alarm multiplexer can be configured to report intercom call activity to the Falcon. This allows the site to track when the intercom is activated and which call button was used. In applications with site graphics, this can trigger the display to show the call button being pressed. This will help the site manager locate customers in need of assistance.

The wiring for the intercom call multiplexer depends on the type of intercoms in use at your site. Contact PTI for the requirements and wiring configuration.

4.5 Remote Relay Board Installation

The PTI 8-channel relay board has 8 Form C relay outputs on it and can be used to control a variety of devices. Some examples are elevators, lights and perimeter beams. This board also has 8 door alarm channels on it. Please note the alarm grounds are configured differently on this board than the mux boards. The Power and communications hookup and settings on this device is the same as the PTI MUX board. Please refer to the section on **MUX Box Switches** or to the following page for the Relay Board layout, hookups and switch settings.

The relay board must be defined as a relay board using Function 18 on the Falcon or with Remote station setup in the *Falcon 2000 Access Management Software*.

If the relay board is used to control lights, make sure the lighting controls are turned on under Function 1000, the *Factory Setup Menu*, and the Lighting Zones are defined using Function 20. The Lighting Zone setup can also be done with the *Falcon 2000 Access Management Software*. **Each lighting zone must have its own relay to activate on a relay board.**

WARNING: THE RELAYS ON THIS BOARD ARE LOW VOLTAGE ONLY. AN AUXILIARY RELAY MUST BE USED FOR HIGH VOLTAGE APPLICATION.

The PTI 8-channel relay board contains a four digit LCD in the upper left corner of the circuit board. There are three different diagnostic messages displayed on a continuous basis:

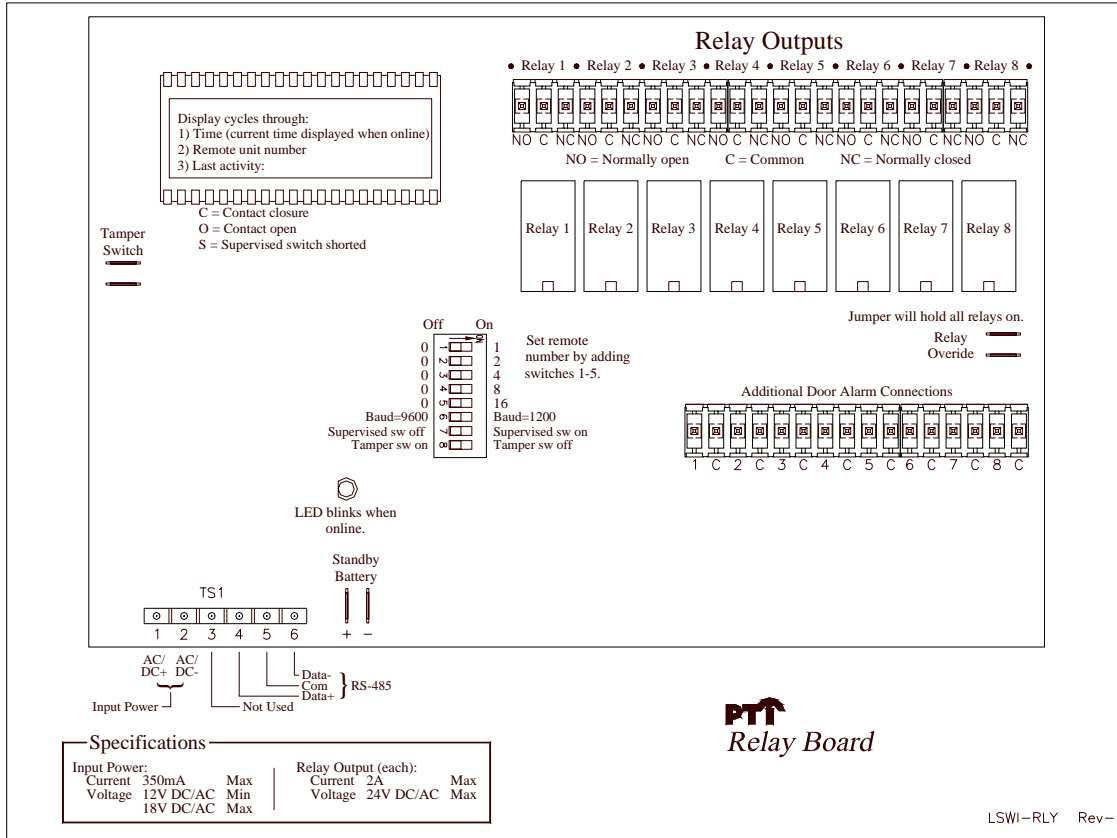
The display will show the time of day in the format HH:MM. The time is transmitted to the Mux board from the PTI Falcon base unit once a minute. The time will default to 12:00 at power up. If the time display changes to match the base unit within one minute and the green LED begins to blink, communications has been established with the PTI Falcon base unit.

The display will show the unit number of the Mux box in the format Un:XX, where XX is the two digit unit address set with DIP switches 1-5 in the range 00-31.

The display will show the number of the last switch channel to Open or Close in the format O-XX or C-XX, where XX is the two-digit channel number in the range 00-08. Channel 00 is the door tamper switch and channels 01-08 are normal alarm switches.

NOTE-PTI has a 2-channel relay board available for smaller tasks.

4.5.1 Relay Board Layout



4.6 2-Channel Relay\Wiegand Board Installation

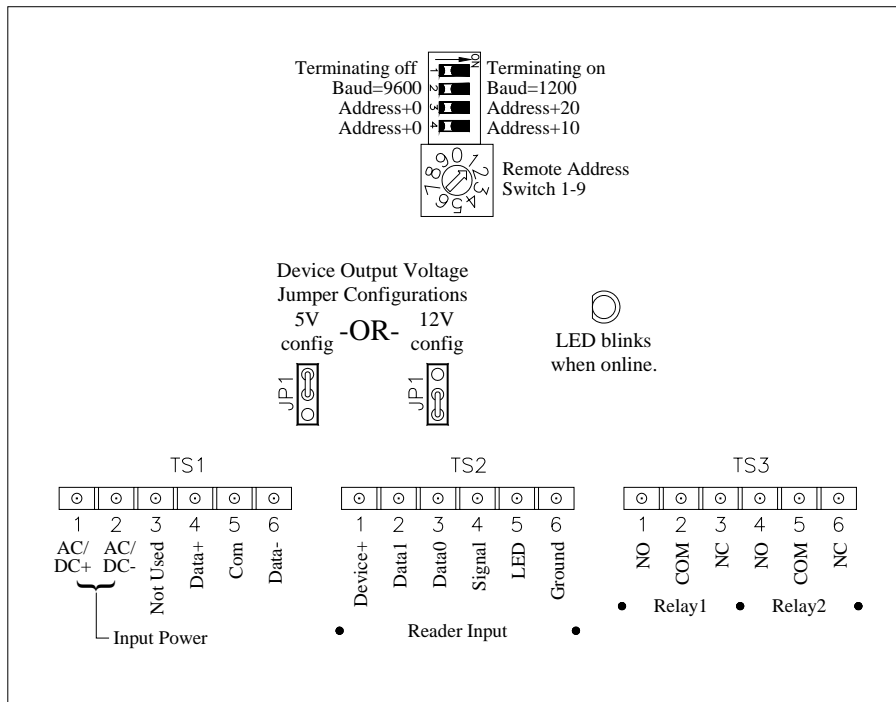
The PTI 2-channel relay board has 2 Form C relay outputs on it and can be used to control a variety of devices. Some examples are elevators, lights, gate motors and perimeter beams. The Power and communications hookup on this device is the same as the PTI MUX board. Please refer to the connection diagram below for the 2-Channel Relay Board layout, hookups and switch settings.

The relay board must be defined as a relay board using Function 18 on the Falcon or with Remote station setup in the *Falcon 2000 Access Management Software*.

This board can also be used as an interface adaptor for connecting most Wiegand type remote access devices. Please contact a Sales Rep. at PTI for a list of devices that we are currently using with this interface type. PTI will provide the Wiegand type device pre-tested with the connecting cable.

If the relay board is used to control lights, make sure the lighting controls are turned on under Function 1000, the *Factory Setup Menu*, and the Lighting Zones are defined using Function 20. The Lighting Zone setup can also be done with the *Falcon 2000 Access Management Software*.

WARNING: THE RELAYS ON THIS BOARD ARE LOW VOLTAGE ONLY. AN AUXILIARY RELAY MUST BE USED FOR HIGH VOLTAGE APPLICATION. A JUMPER IS REQUIRED ON TS2 BETWEEN PINS 2-3-6 IF A WIEGAND DEVICE IS NOT BEING USED.



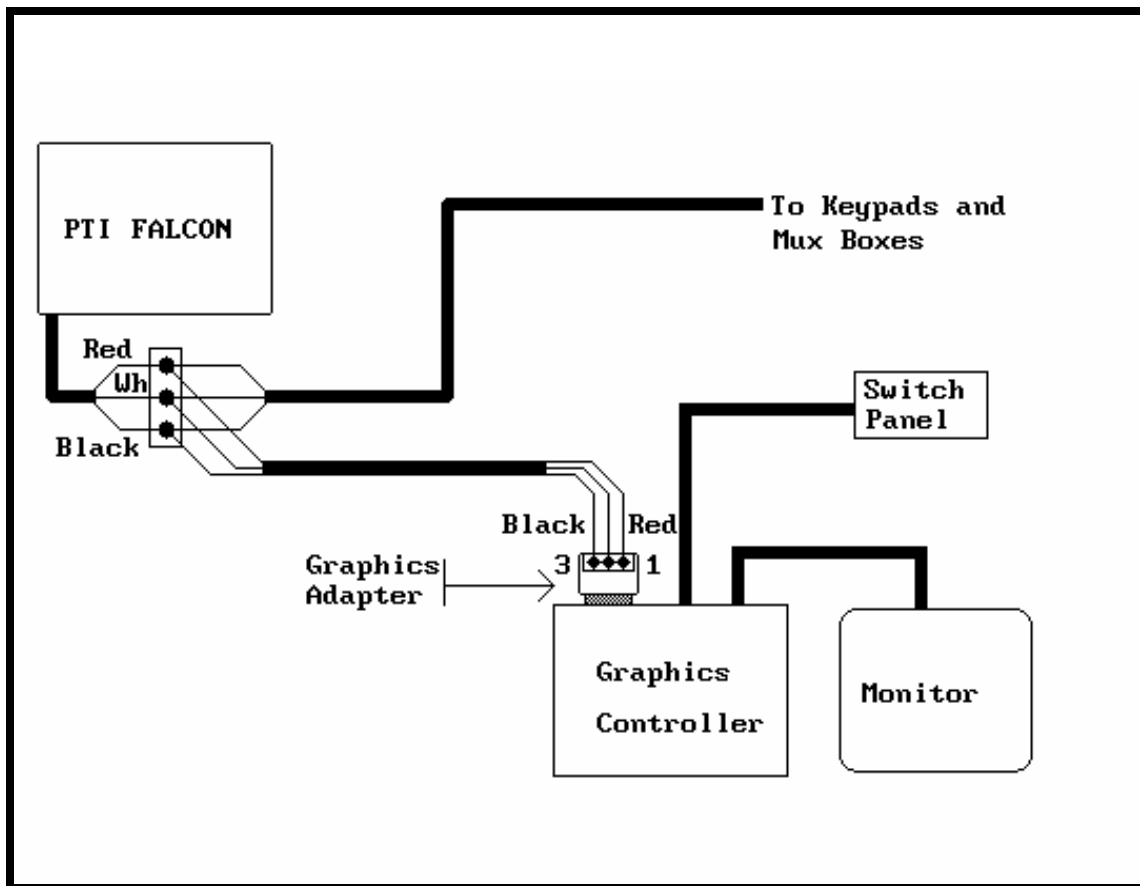
4.7 Falcon Base Unit Installation

Follow the following steps for installation of the PTI Falcon base unit:

- (1) Place the base unit in a readily accessible position where there is power available. Plug the small connector from the DC power pack into the back of the base unit. **Do not plug the power cord into a wall outlet yet.**
- (2) Place the printer in a readily accessible position where there is power available. Install the printer cable between the base unit and the printer by plugging the connector in at each end. Tighten the cable retaining screws using a small screwdriver. Install the printer ribbon and paper according to the instructions in the printer manual **before plugging the printer power cord into a wall outlet.**
- (3) Make certain that the communications wiring from the remote keypads and door alarm multiplexers has been properly terminated on the remote patch cable and that the wires are in the correct order on the patch cable terminal block.
- (4) If you are using the computer interface for the PTI Falcon, install the PTI computer interface cable between the base unit and your personal computer.
- (5) Plug the base unit power cord into a properly grounded outlet. **WARNING: SHOCK HAZARD! NEVER OPERATE THE PTI FALCON BASE UNIT FROM AN UNGROUNDED OUTLET OR USE A THREE TO TWO WIRE CONVERSION ADAPTER WITH THE PTI FALCON!** If your office is not equipped with safety grounded outlets, consult a licensed electrician to have a properly grounded outlet installed.
- (6) Turn on the AC power switch on the rear of the base unit. The default date and time should appear on the display. Then install the remote patch cord in the connector on the rear of the base unit and tighten the retaining screws. This will not only complete the connection to the remote devices. The internal batteries will to begin to charge. The batteries may require forty-eight hours of initial operation of the base unit before being fully charged.
- (7) Apply power to all remote keypads and door alarm boxes and begin testing.

4.8 Security Graphics Installation

Typical wiring for the PTI Security Graphics system is shown below. The graphics adapter allows the graphics controller to be hooked up to the PTI Falcon in the same manner as a remote keypad. Data is transmitted from the PTI Falcon base unit to the Graphics controller only (not from the Graphics controller to the Falcon). The graphics adapter **DOES NOT** require use a **DEVICE ADDRESS**. Therefore, the PTI Falcon will not log "Communications On" or "Communications Off" for a Graphics Controller as it does with Remote Keypads and Door Alarm Mux boxes. If access events are logged across the bottom of the graphics screen as they occur, the system is communicating properly with the Graphics controller.

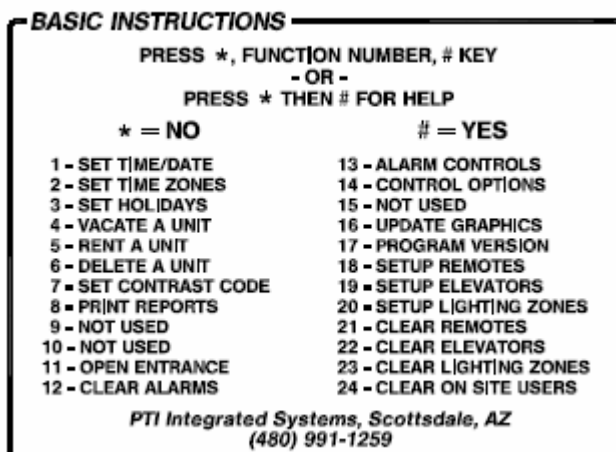


The installer should note that the Graphics Adapter is plugged into a 9-pin Serial Communication port of the graphics computer, and the optional Switch panel is plugged into the printer port. For more info on Site Graphics optional components visit www.ptiaccess.com. PTI's windows graphics program can use ports 1 – 8 the graphics program must be set to communicate at the same speed as the RS-485 on the Falcon. (**Default - 9600**) Function 16 on the Falcon updates the unit status to the graphics image. If Function 16 does not display '**Updating Graphics**' on the Falcon display, the graphics option is turned off in the '**Factory Setup Menu**'.

[See Function 1000 Factory Setup.](#)

5. Programming

The Falcon uses a menu driven programming system that is easily mastered. Using the function number accesses the individual programming command. There are a total of twenty-four function numbers listed on the programming guide sticker on the front of the base unit. A copy of the programming guide sticker is given here for reference. When you are prompted for a Yes or No, remember * = NO and # = YES.



To access a programming function, proceed as follows:

Press "*" (The display will read "Function? ")

Enter the Function Number

Press "# (The PTI Falcon will begin the selected Function)

If the programming guide sticker is unavailable, it is possible to scroll through the available function numbers on the PTI Falcon display. This is accomplished as follows:

Press ".* (The display will read "Function? ")

Press ".# (The display will move to Function #1)

If you wish to select a Function other than Number One, press the ".*" to scroll through. If you scroll through all function numbers without making a selection, the display will read "Setup Done?". To scroll through the functions again, press ".*" for NO, or if you are finished, press "#" for YES.

5.1 Function #1 – Set Time / Date

Function #1 -
Set Time/Date?

Function #1 - Set Time/Date is used to enter the correct time and date into the PTI Falcon. The date is entered in Month-Day-Year format (American version) or Day-Month-Year format (European/Australian version), with two digits required for each. Even though no punctuation marks (slashes) are entered from the keypad, the PTI Falcon will provide them on the display. For example, to set the date to January 9, 1991, you must enter **01/09/91**. Note that years from 85-99 refer to 1985-1999, and years from 00-84 refer to 2000-2084. The date and time in the system is maintained by a hardware real time clock. In the event of a power failure, the date and time will be correct when power is restored.

In the example at the right, the bold face type has been entered to change the date from the initial setting of 06/07/99 to 08/09/99. Press "#" to set the new date.

Enter	06/07/99
Date:	08/09/99

After entering the correct date, you may enter the correct time. The time is entered in Hour-Minute format, with two digits required for each.

For example, to set the time to 3:00 PM, you must enter **0300** from the keypad. The display will then alternate between 03:00 **AM** and 03:00 **PM**. Press the "#" key when **PM** is displayed to select 3:00 PM. The example on the right shows the screen when entering the time.

Enter	12:00 AM
Time:	03:00 PM

At times, you may wish to change only the time without affecting the date, or only the date without affecting the time. This is possible by pressing the "#" key to skip the date or time. If the "#" key is pressed, the entry will be skipped (and thus remain at its present value) and the PTI Falcon will proceed to the next entry.

The PTI Falcon display will indicate the day of the week, the correct date, and the correct time on the display when no other function is being performed. An example of the display appearance is shown at the right.

Wed,	10/09/99
	03:00 PM

5.2 Function #2 – Set Time Zone

Function #2 -
Set Time Zone?

Function #2 - Set Time Zone is used to set the **normal** access hours that you wish to allow for your customers. Business hours are specified with both an **Open Time** and a **Close Time**. Open and Close times may be specified separately for each day of the week and Holidays. The time zones are numbered from one to eight.

After selecting Function #2, the display will appear as indicated. Select the time zone number by entering a digit in the range 1 - 8 and press #.

Time Zone # =

Each time is entered a format similar to that used for setting the time with Function Number One. For example:

On Mondays, allow normal access from 8:00 AM to 5:00 PM.

Monday 12:00 AM
Open: 08:00 AM

Monday 12:00 AM
Close: 05:00 PM

24 Hr Access =12:00AM to 11:59PM

The times for Tuesday through Sunday are entered in a similar fashion, followed by the desired times for Holidays. If you wish to **completely lockout** entry for a particular day, **set both the Open time and Close time to 12:00 AM**.

As in Function One, select between AM and PM by pushing the "#" key when the desired setting appears on the screen.

After specifying the allowed access hours for each day of the week, the PTI Falcon

Keypads 00000000
(1-8): 11010000

Keypads 00000000
(9-16): 00000000

will request the authorized keypads that customers in this zone will be allowed to use. The keypads will be split into four groups for data entry purposes. Keypads 1 - 8 will be in the first group, then 9 - 16, 17- 24 and 25 - 32. Within each group enter a string of eight digits left to right. Enter a "1" if the customer is allowed to use the keypad or a "0" if they are not allowed to use the keypad. In the example above, access to keypads One, Two and Four is allowed. If a printout of Area Closed is experienced and the customer cannot enter the area then they are trying to access the property before or after the hours they were granted. If a printout of Area Denied is experienced then the customer is trying to access an area or keypad that has a 0 in front of it which disallows access for that time zone.

5.3 Function #3 – Set Holidays

```
Function #3 -  
Set Holidays?
```

Function #3 - Set Holidays allows up to thirty-two holidays to be specified in advance by date. On these days, the PTI Falcon will use the holiday access hours rather than the normal weekday, Saturday, or Sunday access hours. Each holiday is assigned a consecutive holiday number in the range of one to thirty two. The holidays do not have to be assigned in any particular order.

For example, to set holiday number six to be July 4, 2000, enter **6** for the holiday number as shown. Press * 3 # to begin. At the Holiday prompt input the Holiday number, then press #.

```
Holiday # = 6
```

Then, enter **07/04/00** for the holiday date as indicated. On July 4, 2000 the programmed holiday hours will be observed by the PTI Falcon.

```
Holiday 00/00/00  
Date: 07/04/00
```

If you need to change a holiday, follow the same procedure and simply enter a new date for the holiday. The PTI Falcon display will always indicate the present setting for the holiday date on the top line of the display. Holidays which have never been programmed will appear as **00/00/00**. It is not necessary to remove a holiday that has already passed, because the date will never occur again anyway. If you wish to cancel a holiday that has not yet occurred, you may reset the holiday date to 00/00/00 or to any date that has already passed. Remember that the two-digit year for any date in the PTI Falcon refers to the twentieth century if the year is 85 or higher, and the twenty first century for years 0 through 84.

5.4 Function #4 – Vacate a Unit

Function #4 -
Vacate a Unit?

Function #4 - Vacate a Unit is used to vacate a previously rented unit. A user of the PTI Falcon is identified by a combination of Section letter and Unit number or Unit number only. If Section letters are not used, press # to skip this entry. Units may also have a final letter as part of the Unit number. Unit numbers can be up to four digits followed by an optional letter. For example, a PTI Falcon report may indicate a unit number as A-0024C. This indicates that the unit is in Section "A", number 24C.

Enter the Section letter of the unit to be vacated. Lettered sections are entered by pressing the key with the correct letter several times until the correct letter appears on the display, followed by the # key.

Section
Number: **B**

Enter the correct unit number. This can be up to four digits plus an optional letter as shown. The first four keys pressed will be taken as numeric data and the fifth character will be taken as lettered, so a number such as **23C** must be entered as **0023C**.

Unit
Number: **0350F**

If you wish to vacate more units, press # for Yes. Otherwise, press * for No.

Do More?

5.5 Function #5 – Rent a Unit

Function #5 -
Rent a Unit?

Function #5 - Rent a Unit allows you to add a new unit into the PTI Falcon memory or modify an existing unit. Units may also be placed on temporary lockout if desired. If PTI door alarms are in use, you can also specify the physical manner in which the alarm switch from the unit is wired. Proceed as follows:

Enter the Section letter for the unit that you wish to assign, then press #. If sections are not being used press # to skip this entry.

Section
Number: C

Enter the unit number. This can be up to four digits plus an optional letter as shown. The first four keys pressed will be taken as numeric data and the fifth character will be taken as lettered, so a number such as **23C** must be entered as **0023C**. Try not to use codes shorter than 4 digits as it will compromise your security.

Unit
Number: 0021H

Enter the Access Code for the unit. Access codes may be up to ten digits in length. Leading zeros will be ignored. This is the number that the user must enter at the remote access keypads to gain entry.

Code: 00000000
New = 12345678

Enter the expiration date for the passcode. If you do not wish for the code to automatically expire, the date may be left at **00/00/00**. This can be used to automatically lock persons out when the date has expired. This is good for temporary construction codes etc...

Exp 00/00/00
Date: 09/01/99

Enter the Access/Time zone number for this unit. This will select what hours and keypad areas that this customer will be able to access the facility. The PTI Falcon supports up to eight Access/Time zones, predefined with Function #2.

Zone: 01
New = 03

If you have door alarms, the PTI Falcon will allow you to enter the Mux box number for the unit at this time. If the Mux box number has previously been entered, press # to skip this entry. The Mux box number should be set to zero if door alarms are not in use.

```
Alarm Mux: 04
New = 37
```

The Mux box channel number for the door may also be entered. If the channel number has previously been entered, press # to skip this entry. This number should be set to zero if door alarms are not in use.

```
Channel: 0021
New = 37
```

Next you must specify if the door alarm for this unit should be turned On or Off. The present setting is displayed as indicated. Change the setting by pressing the * key. Press the # key when the correct setting is on the screen. If door alarms are not in use, skip this screen by pressing #.

```
Unit Alarm
< On >
```

Finally you must specify if the unit should be locked out from normal access permission. Press the * key to change the lockout setting as desired, then press # when the setting is correct.

```
Unit Lockout
<Off>
```

After specifying all data for a unit, the screen will indicate, "Do More?" If you wish to immediately enter data for another unit, press "#" for YES and you will go back to the first step above, otherwise press "*" for NO.

Duplicate Access Codes

Under most circumstances, the access code for a single unit will be unique and assigned only to one unit. You may at times, however, have customers that rent multiple units and do not wish to remember a separate access code for each unit. This is of little consequence since you can always assign an access code to only his first unit, unless a door alarm system is in operation. In this case, the PTI Falcon must be able to recognize all units that belong to a single customer so that when they enter the property, the alarms on all of their units can be disarmed.

This is accomplished by allowing the same access code to be assigned to multiple units. To do this, enter data for the first unit normally, and then enter data for the second unit. Upon entering the same access code for the second unit, a warning message will be displayed as illustrated to tell you that you are duplicating an access code. The screen will indicate the section and unit number that already use the code. After displaying the warning for a few seconds, the screen will change and ask you if you wish to save the code anyway. Press "#" for YES to assign the duplicate code to a second unit, or press "*" for NO if you do

```
Warning-Used By:
Sc/Unit A-0002C
```

```
Save Anyway?
```


not wish to assign the duplicate code. If you press "*", you will return to the access code entry screen so that you may assign the unit a different access code.

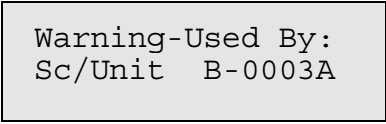
The above procedure may be repeated as many times as necessary to assign the same access code to all units which are assigned to a single tenant.

Multiple Codes per Unit

There will be occasions where you may want several different codes for the same unit. The Falcon can handle these by assigning an Alpha character to the end of the unit number. Example = unit 100 has 3 additional codes needed, Assign 0100A, 0100B, 0100C the different codes and if the unit has an alarm enter the same mux and channel information and the alarm will be disabled once any of the codes are entered.

Duplicate Mux/Channels

Under most circumstances, the door alarm Mux/Channel number assigned to a particular unit is unique. If you have, however, a common alarm sensor such as an RV parking area motion sensor photo beam, it is necessary to assign this one alarm sensor to multiple rental units. When this is done, the beam will be disarmed whenever any tenant in the area is on the property and will be armed only when all tenants from the area have left the property. When the Mux/Channel is assigned to the second and subsequent units, a duplication warning will appear as indicated. If the duplication is not an error, Press # to save the Mux/Channel setting. Otherwise press * to return and select a different Mux/Channel number.



Warning-Used By:
Sc/Unit B-0003A



Save Anyway?

The above procedure may be repeated as many times as necessary to assign the same Mux/Channel number to all units which are assigned the same alarm sensor.

The user data in the Falcon is stored in non-volatile memory. When power is interrupted, the system will restart without loss of user data or activity records.

5.6 Function #6 – Delete a Unit

Function #6 -
Delete a Unit?

Function #6 - Delete a Unit is used to permanently remove a unit which does not physically exist. This could be from a unit that has been previously entered in error, or that facility remodeling has removed a unit. **This command should not be used to vacate a unit. It is primarily intended to allow the correction of data entry errors and as such should rarely be needed.**

Enter the Section letter of the unit that you wish to delete.

Section
Number: **D**

Enter the Unit number of the unit that you wish to delete.

Unit
Number: **0150B**

If the unit is found and successfully deleted, the screen will verify the deletion as indicated.

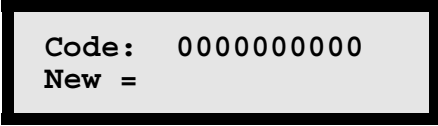
Sc/Unit: A-0005C
-Deleted-

Otherwise you will be informed that the unit was not found and cannot be deleted.

Sc/Unit: A-0005C
-Not Found-

The screen will then say "**Do More?**" If there are other units you wish to delete press # for **YES**. If not, press * for **NO**.

5.7 Function #7 – Set Contrast Code



Code: 0000000000
New =

Function #7 - Set Contrast Code is used to enter a contrast adjustment code into the PTI Falcon base unit. The contrast code will not open any entrance and must be unique; it cannot be assigned to a customer, as it will not allow access. When the contrast code is entered into a remote keypad, the keypad display will enter the contrast adjustment mode. Press * for a darker contrast or # for lighter, on the remote keypad.

After selecting Function #7, the display will appear as shown. Enter the contrast code of your choice and press "#". The PTI Falcon will save the contrast code and return to the date and time display. The contrast code may be up to ten digits in length like any other access code. Verify operation of the contrast code by entering the code at a remote keypad. The remote keypad display will go into the contrast adjustment mode.



Enter Contrast
Code: 87654321

Entry of the contrast code at a remote keypad will be logged on the printer as part of the access log, but the entrance cannot be opened with the contrast code.

***On older systems this function was called 'Set Master Code' but it functioned exactly the same.**

5.8 Function #8 – Print Reports

Function #8 -
Print Report?

Function #8 - Print Reports is used to generate reports on the printer with the PTI Falcon. The report types are:

- All Units-** A report of all customers and their access codes and time zones. Systems with PTI door alarms will also print the MUX unit number and Channel number for each unit. Units may have a letter code in the far right column. See *Status Codes* below for details.
- Suspended -** A report similar to *All Units* except only units with Locked Out (suspended) access are printed.
- Vacant -** A report of all units that no access code has been assigned to.
- Open -** A report similar to *All Units* except only units with open doors are printed; this report is available only on systems with PTI door alarms.
- On Site -** A report that shows any tenant that is currently on the property or did not log out when they left.
- System Setup -** This report shows the configuration of all setup options. PTI tech. support may request a copy of this report for troubleshooting. It is a good idea to print a copy of the setup after the initial install and after any changes to the system and place it in a safe location for future reference.
- Status Report -** This report shows the online status of all remotes on the system. This report will show the Units in alarm condition, the open doors, the remotes on line but not configured and the remotes configured but not on line. This report can be automatically generated at midnight by configuring it in the advanced setup commands (*1000#). **It is highly recommended this report is run daily to ensure all problems with the system are identified and corrected.**
- Cancel -** Selecting this stops a report already in progress from further printing.

All Units?
(NO) (YES)

Status Codes:

V – Vacant, Indicates this unit is programmed into the system but does not have an access code associated to it.

S – On Site, Indicates this customer has currently keyed on site but not off site yet. An inspection of the site may indicate that the customer is actually not on site but has “tailgated” off the property and not used the exit keypad or his auto-arming door time has not expired if door alarms are present and an auto rearm time is entered. ALL customers can be marked off site by using the *24# command (clear users on site).

L – Lockout, Indicated that this customer is locked off the site. If a code is entered at any keypad the customer will get a message of Access Denied. This code will not be allowed access until the status is changed under Rent Unit (*5#).

Door Alarm Systems Only:


A – Alarm, Indicates this unit is currently in alarm condition and should be checked. If swinger shut down is on, this door will **NOT** alarm again until alarm are cleared using the *12# command.

O – Open Door, Indicated that a customer has entered the site and has opened his door. If the customer’s door is not open and this display still shows an inspection of the door contact and wiring should be performed.

P – Unit Alarm Off, Indicated this alarm is turned off under *5# for this unit and will not go into alarm condition nor will it print open or close. Alarms should only be turned off if there is a problem. This should only be temporary and the door should be repaired as soon a possible.

After selecting Function #8, press # (YES) to print the report being displayed. Press * (NO) to display the next report to be printed. The PTI Falcon will begin printing the selected report and the Falcons display will return to the date and time. After a report is in progress, selecting cancel will cause the PTI Falcon to stop sending characters to the printer and return to displaying the date and time. Even though the PTI Falcon has stopped sending data to the printer, the printer will continue to print until all data previously sent has been printed. This may make it appear as if the report was not canceled, but if you wait a few seconds the printer should stop.

5.9 *Function #9 – Save to Tape*



Function #9 -
Save on Tape?

Function #9 - Save on Tape has been removed from the system. Use the Falcon 2000 software to back up and restore configuration of the Falcon to your local computer.

***This function is not used on versions 4.00 or higher.**

5.10 Function #10 – Load From Tape

Function #10 -
Load from Tape?

Function #10 - Load from Tape has been removed from the system. Use the Falcon 2000 software to back up and restore the Falcon configuration to your local computer.

***This function is not used on versions 4.00 or higher.**

5.11 Function #11 – Open Entrance

Function #11 - Open Entrance

Function #11 - Open Entrance can be used to manually open your gate or entrance from the PTI Falcon base unit. Each PTI Falcon remote keypad contains a relay that the installer has wired to the entrance motor or lock. This Function allows you to manually trigger the relay in any remote device in order to open the entrance to which the remote device is wired.

After selecting Function #11, the display will ask you for the number of the remote device that you wish to trigger. Enter the number and press "#". Your installer should tell you the remote number and relay number that will trigger each entrance or exit device that you have on the property.

```
Trigger Remote  
Number: 1
```

After you select the remote number, you must specify the relay on that remote. **On standard keypads this number will always be 1.** If you are triggering a relay board it could be a number 1 – 8, or if triggering an Apex it would be 1 or 2.

```
Trigger Remote  
01,Relay: 1
```

After you select the relay, you must specify if you want to hold the entrance open. If you press * (NO) the remote relay will be triggered and the PTI Falcon will return to the date and time display. If you press # (YES) to hold the entrance open, the remote relay will be triggered and will not release until you trigger it again with Function #11 and press * to not hold open.

```
Hold Open (N/Y)?
```

Note-if the relay is held open using the *11# command and the keypad is used. The hold open function will release and the gate or lock will no longer be held open. You will need to go back into the function *11# to hold it open again. It is recommended that a separate mechanical switch be installed for operation that will require holding the device open for extended periods of time. Use of Function #11 to trigger a relay is logged on the printer and becomes a part of the access log for the property. If you have PTI door alarms in use, you also have a relay installed in the PTI Falcon base unit. This relay is typically used to trigger your alarm siren. Remote number "0" refers to the relay within the PTI Falcon base unit. This relay triggers your alarm siren in the event of a break in. Triggering Remote #0 with Function #11 is useful for testing the siren. The siren may be silenced again with Function #12 - Clear Alarms.

5.12 Function #12 – Clear Alarms

Function #12 -
Clear Alarms

Function #12 - Clear Alarms is functional only on systems with PTI door alarms. Whenever a unit enters the alarm condition, the alarm is logged on the printer and the siren relay is triggered. **Further alarms for the unit are then disabled until this function is executed to clear the alarm condition unless swinger shutdown is turned off under the advanced program function (*1000#).** This prevents a single unit from setting off the alarm multiple times without intervention by the manager to investigate the alarm. Function #12 clears **ALL** units on the property from the alarm condition, so if multiple units have alarmed, it is only necessary to execute Function #12 one time. **Note that if you forget to execute Function #12 after an alarm, the units that alarmed will be left in the off condition and will not print door activity until Function #12 is executed.**

After selecting Function #12, the display will indicate "**Clearing Alarms...**" for several seconds while the PTI Falcon searches for all units in the alarm condition and clears them. The display will then return to the date and time.

Clearing
Alarms...

Function #12 is also used for shutting off the alarm siren prior to its programmed alarm time.

5.13 Function #13 – Alarm Controls

Function #13 -
Alarm Control?

Function #13 - Alarm control is used to set and control a number of features in the PTI individual door alarm system.

The entire alarm system may be turned **On** or **Off**. Press * to toggle the setting from **On** to **Off**. When the setting appears as desired on the screen, press # to accept. **DO NOT TURN YOUR ENTIRE SYSTEM OFF UNLESS ABSOLUTELY NECESSARY.** The problems should then be corrected immediately.

Alarm System
<On>

Alarms for vacant units may be turned **On** or **Off**. Press * to toggle the setting from **On** to **Off**. When the setting appears as desired on the screen, press # to accept. Turning on vacant alarms can be useful in demonstrating the alarm system capabilities to potential customers or preventing unwanted openings to units.

Vacant Alarms
<On>

Remote Communication Alarms may be set **On** or **Off**. If Remote Communication Alarms are **On**, any failure in communication between the Falcon base unit and any remote will cause the alarm siren to sound. It is recommended that Remote Communication Alarms be turned on.

Rem Comm Alarms
<On>

Tamper switch alarms may also be turned **On** or **Off**. Tamper alarms will normally be **On** and will only be turned **Off** when you need to open an alarm mux box for maintenance.

Tamper Alarms
<On>

Unknown Channels may be turned **On** or **Off**. If a mux box reports an alarm switch opening or closing on a channel that has not been assigned to a section/unit number, it is considered an "Unknown Channel". If you do not wish Unknown Channels to become a part of the site event log, they may be turned **Off**. It is highly recommended that unknown Channels Be turned on. This will bring non-programmed units to the attention of the Manager.

Unknown Channels
<On>

Auxiliary sirens may be turned **On** or **Off**. Auxiliary sirens are those that are triggered from relays in the Mux boxes rather than from the relay in the PTI Falcon base unit. **If there are any remote sirens wired into the system from a multiplexer then this option must be turned ON in order for them to work.**

```
Auxiliary Sirens
<On>
```

Day Siren:

You may specify the length of time that the siren should sound during normal business hours in seconds. A setting of **60** is equal to sixty seconds or one minute. The siren will automatically shut down after sounding for this length of time. **Note that normal business hours are considered to be those specified in Time zone number One.**

```
Day Siren = 0060
New Value = 300
```

Night Siren:

You may also specify the length of time that the siren should sound after normal business hours (other than time zone #1) in seconds. A setting of **300** is equal to three hundred seconds or five minutes.

```
Nite Siren = 0300
New Value = 400
```

The automatic rearm time is specified in minutes. If automatic alarm rearming is not desired, set the rearm time to zero. When the rearm time is non-zero, an alarm door will automatically rearm the specified number of minutes after the door is closed. Automatic rearming is useful if the site does not allow the use of an exit keypad to rearm the unit alarm as the tenant leaves, or as a fail safe for tenants who tailgate out of the property. The rearm time must be set reasonably long to prevent doors from rearming when the tenant has momentarily shut the door and then opened it again.

```
Rearm Time = 000
New Value = 30
```

You will then be asked if you wish to save the present setup. If you press **#** for **YES**, the present alarm control options will be saved in the PTI Falcons EEPROM memory. The Falcon will then be able to automatically return to the desired settings even after power failures.

```
Save Setup?
<No>          <Yes>
```

5.14 Function #14 – Control Options

Function #14 - Control Options?

Function #14 - Control Options is used to set various control features of the PTI Falcon system. They are as follows:

When Printer Logging is turned on, the PTI Falcon will send transaction data to a standard parallel printer connected directly to the Falcon. If the printer logging is turned off, the Falcon will store several transactions in its memory. Once a printer is connected, the printer logging can be turned on and the Falcon will print the stored information. If a printer is connected to the system and turned off and printer logging is ON all transaction data will be lost. If printer logging is OFF then the transaction data will be saved and printed when turned back ON.

```
Printer Logging  
( ON )
```

The relay time is specified in seconds. It controls how long a remote relay is triggered when a valid access code is entered in the entry keypad providing no remotes have been configured under Remote Setup *18#. A setting of 2 seconds is adequate for most gate operators.

```
Relay Time = 01  
New Value = 2
```

This value should be set to the maximum number of remote devices that are connected to the PTI Falcon. This includes both keypads, door alarm Mux boxes and relay boards. Setting this number properly saves the PTI Falcon from wasting time attempting to communicate with remote devices that are not present. It is based on the address of the unit. If you have 3 units on site but the highest address of the last device is 4 then the max remotes must be set to 4. If the value is set to 15 and the highest address of a remote device is 10 the value should be set to 10 to prevent any communication problems.

```
Max Remotes = 15  
New Value = 2
```

The baud rate for the RS232C port on the rear of the PTI Falcon base unit may be set to either **12** (1200), **24** (2400), **96** (9600) or **192** (19200) baud. The RS232C port is used by the PTI Falcon to communicate with a host computer or a modem. The baud rate must be set to match that of the host computer for communication to be possible. The normal setting is 9600 baud. . An incorrect value will cause an interface with a CPU not to work.

```
RS232 Baud = 96  
New Value = 24
```

If the Falcon is at a remote location and connected to a modem, reentering the baud rate will initialize the modem. This sets the modem for the proper

speed and auto answer. Unless you are using a US Robotics Courier modem provided by PTI.

Note that the modem controls under Function #1000 must be turned on when the Falcon is connected to a modem.

The baud rate for the RS485 port on the rear of the PTI Falcon base unit may be set to either **12** (1200) or **96** (9600) baud. The RS485 port is used to communicate with all remote keypads and Mux boxes, and should be set to match the baud rate of the keypads and Mux boxes. A setting of **96**(9600) is generally the best speed for communications. If problems in communication occur it is advised to try setting the Baud Rate to 12 (1200).

RS485 Baud = 12 New Value = 96

NOTE- if changing the Baud rate on the Falcon ALL remotes must be changed also!

You will then be asked if you wish to save the present setup. If you press # for **YES**, the present control options will be saved in the PTI Falcon memory. The Falcon will then be able to automatically return to the desired settings even after power failures.

Save Setup? <No> <Yes>
--

5.15 Function #15 – Adjust Contrast

Function #15 -
Adjust Contrast?

Function #15 - Adjust Contrast allows you to adjust the contrast of the Liquid Crystal Display (LCD) on the PTI Falcon base unit. You can either darken or lighten the display contrast.

After selecting Function #15, the PTI Falcon display will appear as illustrated. Each press of the "1" key will darken the contrast by one step; each press of the "3" key will lighten the contrast by one step. Set the contrast to your personal taste and then press the # key on the keyboard.

<1> =darker
<3> =lighter

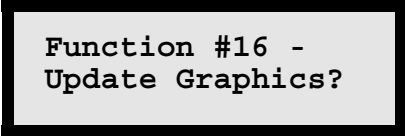
You will then be asked if you wish to save the present setup. If you press # for **YES**, the present contrast setting will be saved in the PTI Falcon memory. The Falcon will then be able to automatically return to the desired contrast even after power failures.

Save Setup?
<No> <Yes>

A similar adjustment is available for the displays on the remote keypads; see Function #7 for details.

***This is not used on Falcons that have a backlit display. The function was removed on version 4.04 and re-instated in version 4.35 to accommodate older Falcons with non-backlit displays.**


5.16 Function #16 – Update Graphics



Function #16 -
Update Graphics?

Function #16 - Update Graphics is used only by customers with PTI security graphics. It is useful when the graphics control computer has been shut off and then restarted. Update Graphics will cause the PTI Falcon base unit to update the correct colors for every rental unit on the graphics image.

The PTI Falcon will indicate on the screen that the update is taking place for a few seconds. The update process will continue to occur even after the indication screen has disappeared and may in fact take several minutes to complete on a large property.



Updating
Graphics...

If the display does not say Updating Graphics, it is turned OFF in the Factory Setup Menu. See **Section 6** for information about the Factory Setup Menu.

5.17 Function #17 – Program Version

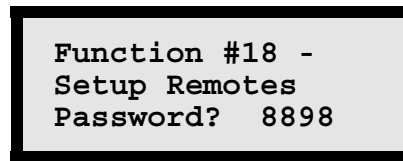
Function #17 -
Program Version

Function #17 – Program Version displays the current program that is in the Falcon base unit. This program is updated and new features are added from time to time. Updates are available on the PTI web page at no charge to our customers. If the base unit is sent in for the update, there will be only a minimal charge. PTI Falcon program updates are not mandatory for continued operation.

Program Version:
04.41 12/09/2003

Web site www.ptiaccess.com

5.18 Function #18 – Set Up Remotes



Function #18 – Setup Remotes is used to change the default setting for all remotes on the PTI Falcon system. The default settings use odd numbered remotes as entrance and even ones as exit. If the keypads are defaulted and not defined they will trip the relay on their unit only when a proper access code is entered. If you define them under the *18# command you can trip any keypads relay with any other. This will eliminate the fact of having a separate wire run to a gate operator from both enter and exit keypads providing they both are controlling the same device. If you are using remote relay boards for controlling elevators, lighting zones, perimeter beams, opening gates or other relay controlled devices they must be defined in this function. **Be sure to define ALL devices if the default is not used.**

See the Setup Remotes Flow Chart on the following page.

Four different remote device types can be defined:

- Standard Keypads – Any keypad with or without an intercom
- Card Readers – CodeXpress Keypads or Wiegand Readers
- Relay Boards – 8 or 2 channel relay boards
- Multiplexers – Door alarm muxs 16, 32, 48, 64, 80 or 96 channel (multiplexers can also be configured for use as an intercom call device)

When you define Keypads or Card Readers you will be asked if you want the Remote to **Log Users On/Off Site**. Only the Main entry and exit devices should be logging users on and off the site. If you have a Keypad at a building door or at an elevator it should not log the user on the site again. When used with a PTI Door Alarm and Relay Control System, once a user is logged on the site there unit door alarm will be disarmed and any relay controls will be turned on. When the user logs off the site, the system rearms the door and turns out the lights or turns on photo beams that are controlled by the relay controls.

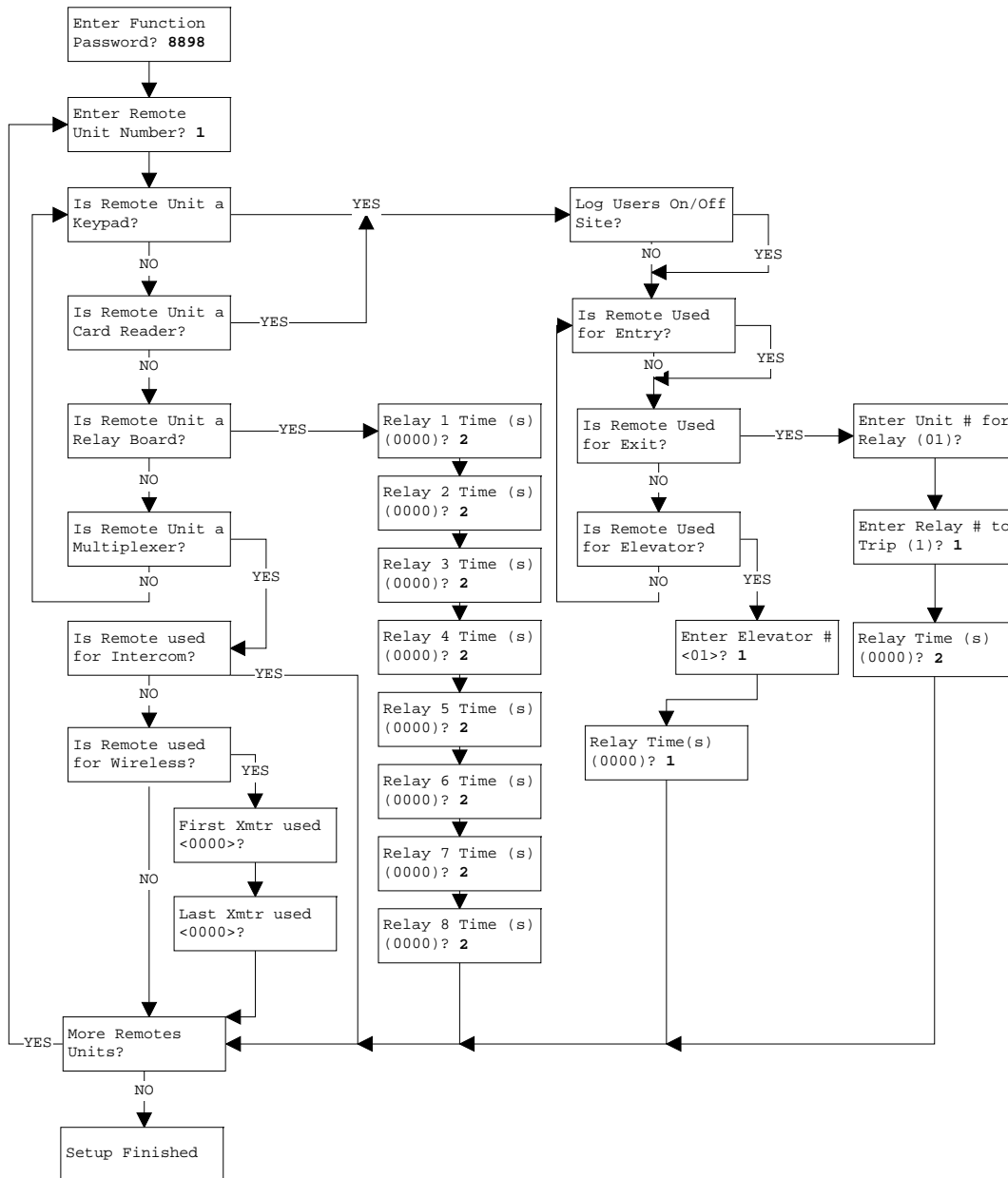
You will be asked if the device is used for entry or for exit. If you answer yes to both questions the device becomes a Toggling Unit. The first time a user puts in their code it will be an entrance, the next time it will be an exit. This is useful for logging in and out of the property from one device.

The system will also ask for a remote unit and relay to activate when a valid code is entered. The entrance device can be set to trip an exit device connected to the same gate motor for additional security or even a relay board located securely on

the property. When setting up a **Relay Board**, the amount of time that the relays on that board are activated for must be defined. The holding times are in seconds.

This Setup is made much easier with the Falcon 2000 software.

5.18.1 Set Up Remotes Flow Chart



5.19 Function #19 – Set Up Elevators

Function #19 -
Password = 8898

Function #19 – Setup Elevators is used for multi story buildings with elevators that are controlled by the PTI 8 or 2 channel Relay Board. The Relay Board and a Remote Keypad used for Elevator control must be defined in Function 18 – Setup Remotes. Function 18 will determine the amount of time the relay will hold for. Function 19 will determine the relay board and relay on that board that will be tripped based on a users unit number.

Multiple elevators can be setup, so the Function will first ask which elevator you are setting up and how many floors the elevator has. The current setting is show in parentheses.

Elevator 1, # of
Floors (0)? **7**

The Falcon will then ask what Relay Board and which relay on that board to trip for floor one. It will ask this question for each of the floors that are being controlled by the Relay Board.

#1, Floor 1, Rly
Board # (00)? **10**

The starting and ending section and unit numbers for the first floor must be entered. When a user logs in within the range the system will know what floor to take the user to. It will ask this question for each of the floors that are being controlled by the Relay Board.

#1, Floor 1, Rly
Number # (0)? **1**

#1, Floor 1,
Start Section? **A**

A typical application would be to install a keypad inside the elevator cab. This will require a traveling cable from the elevator company to be installed. The relay box can be located in the vicinity of the elevator room or the cab of the elevator itself. Many local codes will not allow it to be installed directly in the elevator room. You will need to coordinate with the elevator company to determine the best location. The elevator will have to be equipped with a floor specific lockout control that will accept either a N.O or N.C. momentary dry contact to activate the floor button once a proper code is entered.

#1, Floor 1,
Start Unit? **100**

#1, Floor 1,
End Section? **A**

#1, Floor 1,
End Unit? **199**

5.20 Function #20 – Set Up Lighting or Relay Zones

```
Function #20 -  
Setup Lighting Zones  
Password? 8898
```

Function #20 – Setup Lighting/Relay Zones is used for turning on and off interior lights in buildings, motion detectors in an RV lot, perimeter beams and many other applications. The PTI Relay Board controls the devices. The Relay Board must be defined in Function 18 – Setup Remotes. Function 20 will determine the relay board and relay on that board that will be tripped based on a users unit number. The relay will remain activated until all users have logged out for that zone.

The PTI Falcon can control up to 64 Lighting Zones. The system will ask what Lighting Zone you want to setup first. The Falcon will then ask what Relay Board and which relay on that board to activate for a section and unit number range. It will ask this question for each of the Lighting Zones that are being controlled by the Relay Board. The current setting is show in parentheses.

```
Lighting Zone 01  
Rly Brd (00)? 9
```

```
Lighting Zone 01  
Relay # (0)? 1
```

Note: Lighting Controls must be turned on in Function 1000. The number of lighting zones that will be used must also be defined. Set the number of zones used only to the true number being used and no higher. The lights off delay time may also be set.

```
Light Starting  
Section? A
```

```
Light Starting  
Unit? 100
```

When using Lighting Controls/Relay Controls each zone must have its own relay to activate.

Only the first eight zones will obey the off delay feature. When a number is set for the off delay, the system will wait for the specified number of seconds to pass after the user has logged out, before releasing any relays being held. This feature can be used for lighting controls, shunting IR perimeter beams and many other relay-controlled devices.

```
Light Ending  
Section? A
```

```
Light Ending  
Unit? 199
```

5.21 Function #21 – Clear Remotes

```
Function #21 -  
Clear Remotes  
Password 8898
```

Function #21 – Clear Remotes will remove all user defined remote settings and restore the system default settings.

5.22 Function #22 – Clear Elevators

Function #22 – Clear Elevators will remove all user defined Elevator settings and

```
Function #22 -  
Clear Elevators  
Password 8898
```

disable all Elevator controls.

5.23 Function #23 – Clear Lighting Zones

Function #23 – Clear Lighting Zones will remove all user defined Lighting Zone

```
Function #23 -  
Clear Lighting Zones  
Password 8898
```

settings and disable all Lighting controls.

5.24 Function #24 – Clear Users On Site

Function #24 – Clear Users On Site will log any users off the site. This will rearm

```
Function #24 -  
Clear Users On Site  
Password 8898
```

the doors and deactivate all relays. This is useful for logging user off the site if they tailgated out. The rearm timer for the door alarm system will also do this after the time has expired.

6. Function 1000 - Factory Setup Menu

It is strongly advised that a qualified technician perform any programming in this section. If you do not fully understand the functions in this section you can create unnecessary problems with the proper operation of the system. Therefore you must contact a service representative of PTI to obtain the KEY number for access into this area.

The PTI Factory Setup menu is accessed by entering *1000# on the Falcon keypad. The PTI Falcon will then display a four-digit *seed* number. If the appropriate *key* number is then entered followed by the # key, the Factory Setup Menu will be entered. The following selections can then be edited in Factory Setup menu.

- 1) **Change Password? <No> <Yes>** **Default: No**
If a password is set, **ALL** functions will require the password to be entered before gaining access to the function. If the user does not know what the password is, this is where it can be found. This is useful for locking out unauthorized data entry. Setting the password to 0 will turn this option off.

- 2) **A. Clock Adj.=nnn** **Default: 000**
Because the PTI Falcon now uses a hardware real time clock, the adjustment value has changed from previous releases. This value now can be used to calibrate the real time clock for time gained or lost in a month. Contact PTI for the proper settings. **DO NOT CHANGE THIS VALUE** without guidance from PTI. This is only in versions prior to 4.33.

B. FW Reprogram? <ON> <OFF> **Default: ON**
This disables the ability to reprogram the Falcons firmware via the serial port. This is only in version 4.34 or newer.

- 3) **Alarm System <On> <Off>** **Default: On**
The entire alarm system software may be enabled or disabled by hitting the * key. This should be set to reflect whether or not the customer is using PTI individual unit alarms. When the alarm system software is off, other PTI Falcon menu items regarding the alarm system will not operate on the display.

- 4) **Graphics <On> <Off>** **Default: On**
This should be set to ON if PTI Security Graphics is in use, otherwise set to off. When off, the PTI Falcon does not waste time transmitting graphic update data to a nonexistent graphics system and Function 16 will not work.

- 5) Modem Enable <On> <Off> Default: Off**
Set to on if the PTI Falcon is to be remotely programmed via telephone Modem through the Falcon serial port (Falcon 2000 management software will be necessary) . Set to off if there is a direct connect cable from the Falcon serial port to the customer PC. When Modem Enable is on, the PTI Falcon will transmit a modem setup string to the modem 3 seconds after power up to place the modem into auto answer mode at 9600 baud. The modem setup string can also be resent to the modem by reentering the RS232 baud in function 14.
- 6) Section Letters <On> <Off> Default: On**
If the customer prefers numerical section numbers in the range of 1-32 rather than alphabetical section letters in the range A-Z (or blank), set section letters off. Example = A8888 (on) or 18888 (off)
- 7) European Dates <On> <Off> Default: Off**
Set to on for dates in the format DD/MM/YY, Off for MM/DD/YY.
- 8) Free Exit <On> <Off> Default: Off**
If on, exit keypads will always allow exit regardless of programmed time zone hours. If off, exit keypads will allow after hours exit only one time for customers that entered the property within allowed hours. Free exit lowers the chance of trapping some one in the facility at the risk of granting customers with valid pass codes the ability to jump the fence and use an exit keypad to open the gate after hours.
- 9) Anti-Passback <On> <Off> Default: Off**
When Anti-passback is on, exit keypads will allow exit only if the user has previously keyed in at an entrance keypad. Entrance keypads will allow entrance only if the user has previously keyed out at an exit keypad. This limits access to only one user at a time and makes tailgating difficult. The exit keypad limitations will function only if free exit is turned off.

10) Lighting/Relay Controls <On> <Off> Default: Off

When on, the PTI Lighting/Relay controls will be enabled. You will be asked for the number of control zones that will be used. All control zones that are setup on the system must be defined. This also gives you an option for a relay release delay. When a number is set for the off delay, the system will wait for the specified number of seconds to pass after the user has logged out, before releasing any relays being held. This feature can be used for lighting controls, shunting IR perimeter beams and many other relay-controlled devices.

When the lighting zones are enabled you will have the following options available also.

Light Zones This is the number of zones that you will be using. You can have up to sixty-four (64) lighting zones on Falcons version 3.00 or higher. 24 function Falcons prior to version 3.00 only have eight (8) lighting zones

Off Delay This is the amount of time that the zone relay will be held for after the last user in that zone has logged off. This value is stored in seconds and can have a value of 00 – 255 which is 0 seconds up to 4 minutes 15 seconds. When setting this value you want to consider the amount of time the user will need to completely exit the secured / lighted zone.

11)

A. Event Flagging <On> <Off> Default: OFF

This causes the transmission of a single ASCII character out of the PTI Falcon serial port whenever a new event is added to the PTI Falcon access log. PC software can use this flag character to know when there is something to read out of the access log.

B. Count Users Default: OFF

This is used to either ignore or count the number of entries of a code, when this function is **ON** the Falcon will remember how many entries a particular code has had which would require the same amount of Exits in order to rearm a door alarm, release a zone relay, etc... When this function is turned **OFF** it does not log the number of entries because only one exit will log all entries off and rearm the unit alarm, release a zone relay. When this function is **ON** it will log a maximum of 255 if there are 256 entries without a single exit the Falcon will start the count from the beginning.

12) Check In Pad <= nn**Default: 00**

If nn is 00 this feature is turned off. If a number is entered, all remote keypads numbered "nn" and lower will be treated as Check In/Out stations. A Check In station functions as an entry station the first time the customer uses it and exit station the second time, etc. A different message is displayed for entries and exits so the customer can tell them apart. If a Check In/Out station is in use, any other remote keypads will not allow access unless the customer has first checked in at a Check In/Out keypad. Also any customer that leaves without checking out of the facility at a Check In/Out station will have his access suspended at midnight of that day until management enables it again.

13) Exempt Zone >nn**Default: 09**

If nn is 09 this feature is turned off. If a number is entered, customers in time zones numbered nn and higher will be exempt from the check in/check out process described above. Typically employee pass codes will be placed in an exempt zone so that employees do not have to check in before using other keypads on the property. Exempt zone employees will also not have their code suspended at midnight if they fail to key out when they exit the property. Exempt zone can also be used to activate ALL relays on a relay board if an exempt code is entered. This is useful so a manager will not have to enter a separate code for each floor or to turn on specific lights.

14) Counter Rdr = nn**Default: 00**

Allows one remote keypad (number "nn") to be set as a counter reader rather than a normal remote keypad. This overrides any other setting for this remote keypad. A counter reader is a remote keypad (or card reader) unit that is used by management to program pass codes into the PTI Falcon. If the PTI Falcon is at the point of entering a pass code, rather than entering the code through the keypad on the Falcon, it can be transmitted to the Falcon from the remote unit designated as the Counter Reader. Facilities using preprogrammed magnetic stripe cards for access often do not know what code is on a particular card. By swiping the card through the designated Counter Reader at the proper time, the code will be echoed on the screen of the Falcon as if they had entered it by hand. The normal programming process can then continue. A unit designated as a counter reader cannot be used for any other purpose (It is strongly suggested that the remote devices be operated at 9600 baud if a counter reader is used, or the response of the reader appears too slow).

- 15) Comm Count = nnn** **Default: 10**
This specifies the number of consecutive communication failures that must occur with a remote device before it will be considered an error and Communications off logged in the access record. The minimum allowed value is three and the maximum is two hundred and fifty five. The factory default setting is ten. If a property is experiencing comm on/off problems it is not recommended to increase this delay time. There is generally a wiring or component problem causing the printout and increasing this delay only masks the problem and does not correct it.
- 16) Midnight log out <On> <Off>** **Default: Off**
When turned on, the system will mark all users offsite at midnight. This will arm all previously onsite doors and release any relays being held if used with the PTI door alarm system or relay/lighting controls. This is useful to clear "tailgaters" from the site but can also accidentally mark tenants off site if they happen to have access after midnight and are currently on site.
- 17) Swinger shutdown <On> <Off>** **Default: On**
When this feature is turned on, the PTI door alarm system will report a door violation and sound the siren only one time even if the door is reopened. The system will not set off the siren and report the violated door again until manually cleared by using function 12 on the Falcon base unit. If the feature is turned off, the system will report a door violation and sound the siren every time a violated door is reopened. Turning this feature off can cause nuisance alarms to continually go off many times creating problems with local residences and authorities.
- 18) Ignore onsite doors <On> <Off>** **Default: Off**
The PTI door alarm system will not report normal door open and door close activity from onsite users when this feature is turned on. A door violation will still sound the siren normally. This feature is commonly used if motion sensors are installed in the units to prevent the printer from reporting open/close every time movement is detected
- 19) Daily status report <On> <Off>** **Default: Off**
If turned on, the system will print the communication status of all remotes, Open Doors and Doors in Alarm Condition at midnight providing a printer is connected to the Falcon and turned on. It is recommended this feature be turned on to provide a status of the property to the manager.

20)

A. Limit code size <On> <Off>

Default: Off, 10 digits

This feature is used with the PTI CodeXpress card access system. Normally cards are read as 10 digit codes. If the accounting software has a code length limit the system can be set to match it. When turned on, the system will ask for the length of code to read off a card. This feature must be set before codes are assigned.

B. Card Length 7 – 09

The card lengths can on be set from 07 – 09 since the default is card length is 10 digits.

The remaining settings are used only with a PTI Wireless Door Alarm System. Do not change any of the following setting without assistance from a PTI Technical support representative.

- | | |
|--------------------------------------|-------------|
| 21) Trigger Mux = nn | Default: 00 |
| 22) Trigger Channel = nn | Default: 00 |
| 23) Reset Mux = nn | Default: 00 |
| 24) Reset Channel = nn | Default: 00 |
| 25) Open Mux = nn | Default: 00 |
| 26) Open Channel = nn | Default: 00 |
| 27) Close Mux = nn | Default: 00 |
| 28) Close Channel = nn | Default: 00 |
| 29) Enter Unit Number for Relay = nn | Default: 00 |
| 30) Enter Relay Number for Trip = nn | Default: 01 |

7. Function 1002 - Communications Loop Back Test

The comm port loop back test is used to check the Falcons interface cable and its own comm port. To perform this test, plug one end of the interface cable into the Falcon and put a jumper into holes 2 and 3 on the other end. A metal paper clip may be used. Then press *1002#. The Falcon will now send out information through the cable then back. It will display if the test passed or failed. If the process fails the Falcon will need to be serviced by PTI.

New features are routinely added to the Factory Setup menu, as circumstances require. Please call PTI if you encounter an item not described here or if you are unclear about any factory setting.

Contact PTI if the function you desire has not been described in this manual. Our technical support personnel will be happy to assist you in any way possible.

8. Function 1003 – Erase All User Data

This function is used to clear all of the user information. (Units, Passcodes, and Mux/Channel Assignments) All of the configuration settings like lighting zones, elevator zones, remotes setups, time zones, holidays, contrast code, alarm controls, and control options will be kept.

Contact PTI if the function you desire has not been described in this manual. Our technical support personnel will be happy to assist you in any way possible.

9. Index

"#" key indicates "Yes"	10	RS485 to Remote Keypads and	
"*" key indicates "No"	10	Alarm Mux's	14
Adjusting Contrast	68	Counter Rdr = nn	79
As a scroll function	49	Creating the alarm.alm File	41
2-Channel Relay board\Wiegand		Daily status report <On> <Off>	80
device adaptor	13	Display	
2-Channel Relay\Wiegand Board		Adjust Contrast	68
Installation	45	Base Unit	10
Alarm Multiplexer / Relay Board		Door alarm	
Specifications	91	Alarm relay for Audible siren	62
Alarm System <On> <Off>	76	Clearing alarm condition	63
Anti-Passback <On> <Off>	77	connection to base unit	10
Base Unit		Installation	46
Overview	10	Mutiple space rental for one user	54
Troubleshooting	87, 89	Printout description	58
BASE UNIT		Programming a user	53
Warning	46	Troubleshooting	88
Base Unit Specifications	91	Door Alarm	
Batteries		Wiring Description-Mux Numbering	
Battery Back-up	8	Chart	85
Battery back-up	4	Door Alarm (Multiplexer) Board	
Battery Back-up		Layout	34
Effect on Program settings	89	Door alarms	
for Alarm Mux's	15	Controllers	8
Warning	46	optional	8
Cassette		Door switch Wiring Methods	29
Warning	87	Emergency ingress/egress	4
Change Password	76	Entering Access Codes	26
Check In Pad <= nn	78	Equipment Overview	10
Checklist	9	European Dates <On> <Off>	77
Clock Adj.	76	Event Flagging <On> <Off>	78
CodeXpress Card Reader	12	Exempt Zone >nn	78
Comm Count = nnn	79	Falcon	8
Computer interface		Falcon 2000 Access Management	
connecting	14	software	17
Installing	46	Falcon Base Unit Installation	46
Connector		Free Exit <On> <Off>	77
Printer	10, 14, 46	Function #1 – Set Time / Date	49
RS232C Computer Interface	10, 14	Function #10 – Load From Tape ...	61
RS232C, RS485 Specifications ..	91	Function #11 – Open Entrance	62
RS232Computer Interface	46	Function #12 – Clear Alarms	63
RS485	46	Function #13 – Alarm Controls	64
RS485 to Keypads and Alarm		Function #14 – Control Options	66
Mux's	10	Function #15 – Adjust Contrast	68
		Function #16 – Update Graphics ...	69

Function #17 – Program Version ..	70	Power failure	8
Function #18 – Set Up Remotes ...	71	Printer	8
Function #19 – Set Up Elevators ..	73	Programming	48
Function #2 – Set Time Zone.....	50	Overview	10
Function #20 – Set Up Lighting or		PTI Site Graphics for Windows	16
Relay Zones	74	Recommended Wire Type.....	21
Function #21 – Clear Remotes	75	Relay Board	13
Function #22 – Clear Elevators.....	75	Relay Board Layout.....	44
Function #23 – Clear Lighting Zones		Remote keypad.....	10, 14
.....	75	Backlighting.....	8
Function #24 – Clear Users On Site		Display Contrast	57
.....	75	Display contrast adjustment.....	68
Function #3 – Set Holidays	51	Numbering	37
Function #4 – Vacate a Unit.....	52	Opening Entrance	62
Function #5 – Rent a Unit	53	Powering Up.....	46
Function #6 – Delete a Unit	56	Testing	26
Function #7 – Set Contrast Code..	57	Remote Keypad	12
Function #8 – Print Reports	58	Power Source.....	85
Function #9 – Save to Tape	60	Powering up	9
Function 1000 - Factory Setup Menu		Troubleshooting.....	87, 88
.....	76	Warning.....	87
Function 1002 - Communications		REMOTE KEYPAD	
Loop Back Test	81	Warning.....	22
Fuse		Remote Keypad / CodeXpress	
recommended rating	91	Specifications	91
Getting Started.....	9	Remote Keypad Installation	19
Gooseneck stand		Remote Keypad with Intercom	12
Installation.....	15	Remote keypads	8
Graphics <On> <Off>.....	77	Remote Relay Board Installation...	43
Ignore onsite doors <On> <Off> ...	80	Return Material Authorization Policy	
Individual Door Alarm Installation..	28	94
Individual Door Alarms	15	RS485	10, 20
Installation.....	18	Maximum Wire Length.....	23
Installation and Hookup of Wiring .	21	Specifications	91
Intercom Call Multiplexer	42	Terminating resistor	25, 37
Interference	3	Troubleshooting.....	87
Introduction	8	Section Letters <On> <Off>	77
Keypad Switches	25	Security Graphics Installation.....	47
Lighting/Relay Controls <On> <Off>		Service / Maintenance Log	95
.....	78	Specifications	91
Limit code size <On> <Off>	80	Swinger shutdown <On> <Off>	79
Locked out.....	8	Testing Keypad	26
Midnight log out <On> <Off>.....	79	Testing the Alarm Wiring	40
Modem Enable <On> <Off>	77	Testing the Keypad	26
Multiplexer Box Switches	37	Testing the Multiplexer	
Notes	90	Communication.....	40

Troubleshooting 85
Typical Wiring Scheme 23
Using Access Codes..... 12

Warranty.....92
Wiring.....21

10. Troubleshooting

Consult with your installer and fill in the items below to assist you in the future if you should have questions or problems.

Installation Company _____

Installation Date _____

Contact _____

Address _____

Phone () _____ Pager () _____

Mobile() _____

My Gate motor power is supplied from breaker panel located _____

My Falcon Base unit power is supplied from breaker panel located _____

My Remote Keypads are powered from _____

My Management Software Package is manufactured by: _____

Entrance Keypad(s) is/are Remote Number(s) _____

Exit Keypad(s) is/are Remote Number(s) _____

Relay Board(s) is/are Remote Number(s) _____

(For Door Alarm Users) Multiplexer Boxes is/are as follows:

Building _____ has _____ units alarmed with Multiplexer number(s): _____

Building _____ has _____ units alarmed with Multiplexer number(s): _____

Building _____ has _____ units alarmed with Multiplexer number(s): _____

Building _____ has _____ units alarmed with Multiplexer number(s): _____

Building _____ has _____ units alarmed with Multiplexer number(s): _____

Building _____ has _____ units alarmed with Multiplexer number(s): _____

Building _____ has _____ units alarmed with Multiplexer number(s): _____

Building _____ has _____ units alarmed with Multiplexer number(s): _____

Building _____ has _____ units alarmed with Multiplexer number(s): _____

Building _____ has _____ units alarmed with Multiplexer number(s): _____

Building _____ has _____ units alarmed with Multiplexer number(s): _____

Building _____ has _____ units alarmed with Multiplexer number(s): _____

Building _____ has _____ units alarmed with Multiplexer number(s): _____

Building _____ has _____ units alarmed with Multiplexer number(s): _____

Building _____ has _____ units alarmed with Multiplexer number(s): _____

Building _____ has _____ units alarmed with Multiplexer number(s): _____

Building _____ has _____ units alarmed with Multiplexer number(s): _____

Building _____ has _____ units alarmed with Multiplexer number(s): _____

Building _____ has _____ units alarmed with Multiplexer number(s): _____

Building _____ has _____ units alarmed with Multiplexer number(s): _____

Building _____ has _____ units alarmed with Multiplexer number(s): _____

Building _____ has _____ units alarmed with Multiplexer number(s): _____

Building _____ has _____ units alarmed with Multiplexer number(s): _____

In cases where the PTI Falcon system seems to be malfunctioning, it is important to be able to isolate the problem before contacting your local installation company or PTI. This will help keep the repair cost as low as possible for you. The following examples of malfunctions will help you in isolating malfunctioning components of the system. Normally you should not have to shut down the Falcon unless the malfunction appears to be within the Falcon. In either case it is highly recommended that a source of memory back up be obtained (computer disk back-up through you management software package or Falcon 2000 windows program) prior to conducting any troubleshooting procedures.

Important- With the exception of cold booting the system hardware, Do not conduct any troubleshooting procedures within the system without first removing all sources of power. The Falcon induces small amounts of voltage into the Remote Keypads in addition to the 12-volt power supply. Failure to follow these recommendations can result in personal injury and damage to system.

Scenario 1- Codes entered into the Remote Keypad Units will not open gate, display reads "Please Wait".

-This means the keypad is not communicating with the Falcon. The best solution for any electronic malfunction such as this is to reset the keypad. To reset the keypad, disconnect the power from the keypad and the communication by disconnecting the RS485 cable from the back of the Falcon Base Unit and shutting off the breaker for the power source to the keypads. Once both power sources are disconnected, reconnect the RS485 Cable to the back of the Falcon and turn the breaker on for the Remote Keypad Unit power. Within 60 seconds of restoring power the current date and time should transmit from the Falcon base unit to the keypad(s) and access codes should open the gate with an "Access Granted" message appearing on the display. If this does not clear up the problem, the Remote Keypad Unit may need servicing by the PTI repair office. Call you local dealer or PTI at this point.

-Scenario 2- Codes entered into the Remote Keypad Units will not open gate, display reads "Access Granted".

-This malfunction could be in the Remote keypad unit or in the Gate Motor circuitry. If all of the Remote Keypad Units give an "Access Granted" message with an authorized code but the gate will not open, it is likely that there is a malfunction occurring in the Gate Motor. If this occurs with only one keypad, the relay inside the Remote Keypad Unit may be defective. This is most assuredly determined by connecting an ohmmeter to pins 4 & 5 (for normally open circuits) or pins 5 & 6 (for normally closed circuits). Upon entering an authorized code into the keypad, the meter should deflect in the opposite direction indicating continuity in the relay. A layman's method of this is to simply listen closely to the keypad for 2 quiet clicks upon entering the code, which is representative of the relay cycling.

-Scenario 3- Codes entered into the Remote Keypad Unit will not open gate, display reads "Access Denied".

-This indicates that the Falcon does not recognize the code. Often times the user has forgotten the correct sequence of numbers. The Falcon will print the incorrect code for your use.

-Scenario 4- Codes entered into the Remote Keypad Unit will not open gate, display reads "Access Suspended".

-This indicates that the user assigned to this code has been locked out from the property (Function 5).

-Scenario 5- Codes entered into the Remote Keypad Unit will not open gate, display reads "Sorry, Area Closed".

-This indicates that the user is not a 24-hour user and attempted to enter the property during the closed hours of the property for his time zone that are set in Function 2. The business hours can be easily programmed incorrectly if the programmer does not enter the hours of operation in terms of AM for opening and PM for closing.

-Scenario 6- Falcon is printing "Comm Off" and "Comm On" repeatedly for one or more remotes.

-This is an indication that one or more of the remotes (keypads or door alarm multiplexers) have suffered possible damage to the communication circuitry, or the system is reacting to an outside interference such as radio frequencies, mercury vapor light interference, or power line radiation for example. In such a case, reset the system in accordance with scenario 1. If the condition continues, disconnect one remote unit from the system at a time to eliminate the possibility of one malfunctioning unit causing all units to appear faulty.

-Scenario 7- Printer will not print.

- Check all cables for tightness.
- Ensure that the printer is not jammed with paper.
- Ensure the printer is on-line/ready and powered up.
- Disconnect printer cable from printer, shut power off/on and reconnect cable.
- Attempt printing a report from the Falcon (Function 8)
- If all other attempts fail, shut off printer and Falcon. Turn Falcon and printer back on, re-program Falcon or load back up from memory source. Re-attempt report printing again.

-Scenario 8- The Falcon will not receive information downloaded from my Property Management software package.

-This is an indication of an interface malfunction between the Falcon Base Unit and the PC.

-Ensure that the serial interface cable is securely connected at both ends.

-If using telephone modems, there is a possibility that one of them is malfunctioning.

-Ensuring there is a current back up available. Shut off Falcon and PC and restart both in accordance with the operation installation instructions.

-Under Function #14 on the Falcon Base Unit, ensure that the RS232 baud rate is set in accordance with the Software specifications and modem specifications. Note, if the baud rate is not set properly the PC will not communicate with the Falcon.

11. Notes

12. Specifications

12.1 Base Unit Specifications

Voltage: 12VDC

Current: 250 mA (typical)

Current: 500 mA (max)

Battery: 9 VDC NimH Pack

Remote Connector:

Pin 1: RS485 Data Positive

Pin 2: RS485 Ground

Pin 3: RS485 Data Negative

Pin 4: Not Used

Pin 5: Not Used

Pin 6: Alarm Relay Normally Open

Pin 7: Alarm Relay Common

Pin 8: Alarm Relay Normally Closed

Serial Connector:

Pin 1: RS232 Carrier Detect

Pin 2: RS232 Receive Data

Pin 3: RS232 Transmit Data

Pin 4: RS232 Data Term. Ready

Pin 5: RS232 Ground

Pin 6: Not Used

Pin 7: RS232 Request to Send

Pin 8: RS232 Clear to Send

12.2 Remote Keypad / CodeXpress Specifications

Voltage: 12 - 18 V, AC or DC

Current: 300 ma (maximum)

Relay Contacts: 2 amp, 24V

See section 4.2 for terminal pin assignments.

12.3 Alarm Multiplexer / Relay Board Specifications

Voltage: 12 - 18 V, AC or DC

Current: 300 ma

Term Strip 1:

Pin 1: 12 VAC Power

Pin 2: 12 VAC Power

Pin 3: Not Used

Term Strip 2:

Pin 1: RS485 Data Positive

Pin 2: RS485 Ground

Pin 3: RS485 Data Negative

13. Warranty

PTI Falcon Access Control System

Preferred Technology Inc. (PTI) warrants equipment manufactured by PTI to the original purchaser against defects in materials and workmanship, under normal use and service, for a period of one year from the date of shipment, provided recommended installation and maintenance procedures are followed, **and provided that the warranty registration card is promptly completed and returned to Preferred Technology Inc.**

In case of failure due to defective material or workmanship during the warranty period, components found to be defective upon examination by PTI in its sole discretion, will be repaired or replaced with new or factory rebuilt components at the option of PTI. Replacement parts are warranted only for the remaining portion of the original warranty period or 90 days which ever is longer. Equipment requiring warranty work shall be returned freight prepaid to PTI. Before Equipment is returned for repair a **Return Material Authorization (RMA)** number must be obtained from PTI.

This warranty does not extend to normal maintenance, which the customer is expected to provide. Further, this warranty does not extend to equipment or component systems manufactured by others and sold by PTI. In such cases, the original manufacturer's warranty shall apply.

This warranty is in lieu of and excludes all other warranties, expressed or implied, including but not limited to the implied warranties of merchantability and fitness for a particular purpose. This warranty shall not extend to damage due to improper installation, maintenance, or use, connection to improper power sources, or to damage caused by fire, flood, lightning, power surge, or other acts of nature. In no event shall Preferred Technology Inc. be liable for any incidental or consequential damages due to any defect or failure of the equipment.

**PTI Integrated Systems
8271 East Gelding Dr. Scottsdale, AZ 85260
Technical Support (480) 941-1513
Sales (480) 991-1259**

14. Return Material Authorization Policy

When returning equipment to Preferred Technology, Inc. you must first call for a Return Material Authorization (RMA) number. This number must be visible on the outside of the package as well as on the product inside the package.

Equipment requiring a RMA number includes, but is not limited to:

- Product returned for advance replacement
- Product returned for repair (in and out of warranty)
- Product returned for credit

PTI has implemented this policy in order to improve service to our customers. RMA numbers help us to track receipt of packages, identify reasons for returns, insure prompt repair and return, insure proper replacement of damaged or faulty equipment, and insure proper credit. We appreciate your cooperation in helping us serve you better.

Should you have any questions or concerns, do not hesitate to call us at 480-941-1513.

Warranty Registration Card	
Company: _____	Serial numbers
Contact: _____	Falcon: _____
Address: _____	Keypads: _____
Address: _____	_____
City: _____ State: _____ Zip: _____	Muxs: _____
Phone: _____	_____
Fax: _____	_____
E-Mail: _____	Relay board: _____
Equipment purchased through: _____	_____

